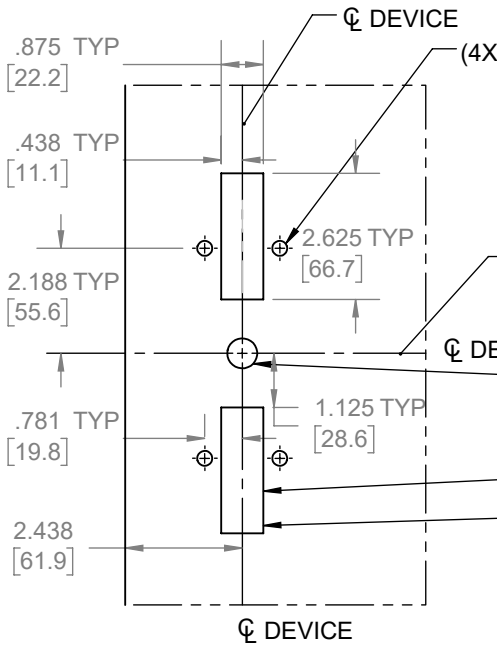


4500 CVR DEVICE METAL DOOR AND FRAME PREP TEMPLATE (FOR FIRE AND PANIC RATED DEVICES)

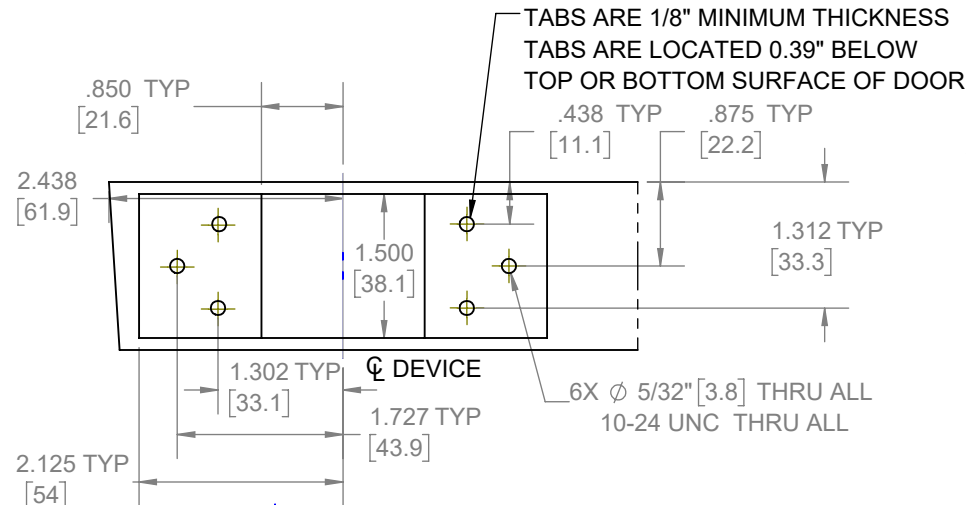


(4X) **SURFACE MOUNTING:**
 DRILL/TAP FOR 1/4"-20 MACHINE SCREWS
THRU BOLTS:
 DRILL $\phi 5/16"$ HOLES ON PUSH SIDE, $\phi 3/8"$ HOLES ON PULL SIDE
TRIM:
 DRILL $\phi 5/16"$ HOLES ON PUSH SIDE, $\phi 1/2"$ HOLES ON PULL SIDE

HORIZONTAL ϕ OF DEVICE IS 40" FROM FINISHED FLOOR

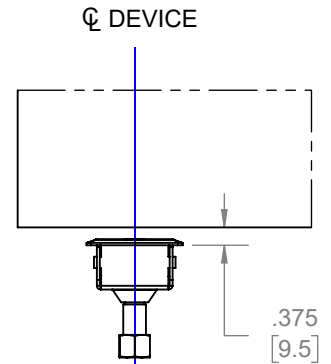
$\phi 5/8"$ HOLE FOR BE & CE TRIM
 NOT REQUIRED FOR DT TRIM
 FOR NL TRIM SEE INSTRUCTIONS/TEMPLATE
 CUTOUT ON PUSH SIDE ONLY

FOR CLB DEVICES (CVR - LESS BOTTOM ROD)
DO NOT PREP THE BOTTOM CHANNEL INCLUDING THE
BOTTOM LATCH PREP. DO NOT MAKE THE BOTTOM RECTANGULAR
CUTOUT. DO NOT PREP FOR BOTTOM STRIKE.



LATCH BRACKET PREP THE SAME AT BOTTOM AND TOP

BOTTOM STRIKE PREP



BOTTOM STRIKE IS PLACED INTO FINISHED FLOOR

TOP STRIKE PREP

STRIKE ϕ SAME AS EXIT DEVICE ϕ

