

# TRICON - FULL MORTISE TEMPLATE HINGE ELECTRIC THROUGH WIRE TYPE ETW

SIZE: 5"

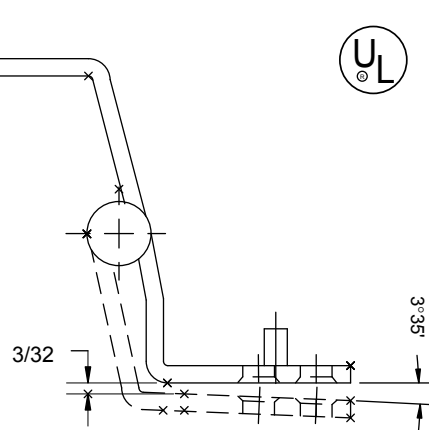
Template No. T558

Rev. 1 8/4/99 RAM



FOR BEVELED EDGE DOORS

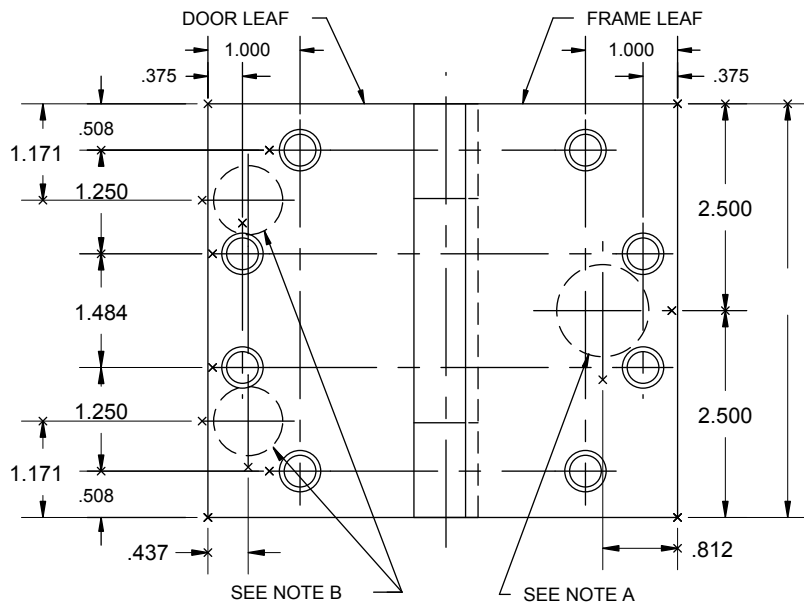
ETW MAXIMUM  
ELECTRICAL RATING  
CONTACT THROUGH WIRE  
VOLTS 48V DC/AC  
AMPERES  
3.5A CONTINUOUS CURRENT  
16.0A CURRENT INRUSH  
(300 MILLISECONDS)



## DRILLING INSTRUCTIONS

NOTE A:  
DRILL AND DEBURR  $\varnothing$  1"  
HOLE IN FRAME REINFORCEMENT  
FOR THROUGH WIRES.

- NOTE B:
1. NON-HANDED INSTALLATION-  
DRILL AND DEBURR TWO  
(2)  $\varnothing$  3/4" HOLES IN DOOR  
REINFORCEMENT PLATE  
FOR THROUGH WIRES.
  2. RIGHT HAND INSTALLATION-  
DRILL AND DEBURR  $\varnothing$  3/4"  
HOLE FOR THROUGH WIRES  
IN DOOR REINFORCEMENT  
PLATE ON BOTTOM LEFT.
  3. LEFT HAND INSTALLATION-  
DRILL AND DEBURR  $\varnothing$  3/4"  
HOLE FOR THROUGH WIRES  
IN DOOR REINFORCEMENT  
PLATE ON UPPER RIGHT.



-DO NOT SCALE-

CATALOG NUMBER	METAL GAUGE
STEEL HINGES	
AB7502	.187

ALL DIMENSIONS ARE IN INCHES.

Machine Screw Size- 12-24 x 1/2" F.H.  
Wood Screw Size- No. 12 x 1 1/4" F.H.

Designed to swing doors completely clear of the opening when door is opened 95°. When opened 90°, door projects 11/64 (4.37) past stop of jamb.

NOTE: This hinge alters the normal pivot point of door. For door closers, friction or overhead door holders to be used in conjunction with this hinge, consult manufacturer of the device for application details.



Hospital type template hinges conform to the above screw size and location. They are designated by "HT" to catalog number.

Hager template hinges are made in gauge and with screw holes located to conform to ANSI-A156.7.

HAGER RESERVES THE RIGHT TO MAKE  
DESIGN CHANGES WITHOUT NOTICE. CALL  
HAGER ENGINEERING AT 1-800-325-9995  
FOR LATEST REVISION DATE OF TEMPLATE.

## HAGER COMPANIES

139 VICTOR STREET  
P.O. BOX 12300  
ST. LOUIS, MISSOURI 63157-0300

Template No. T558