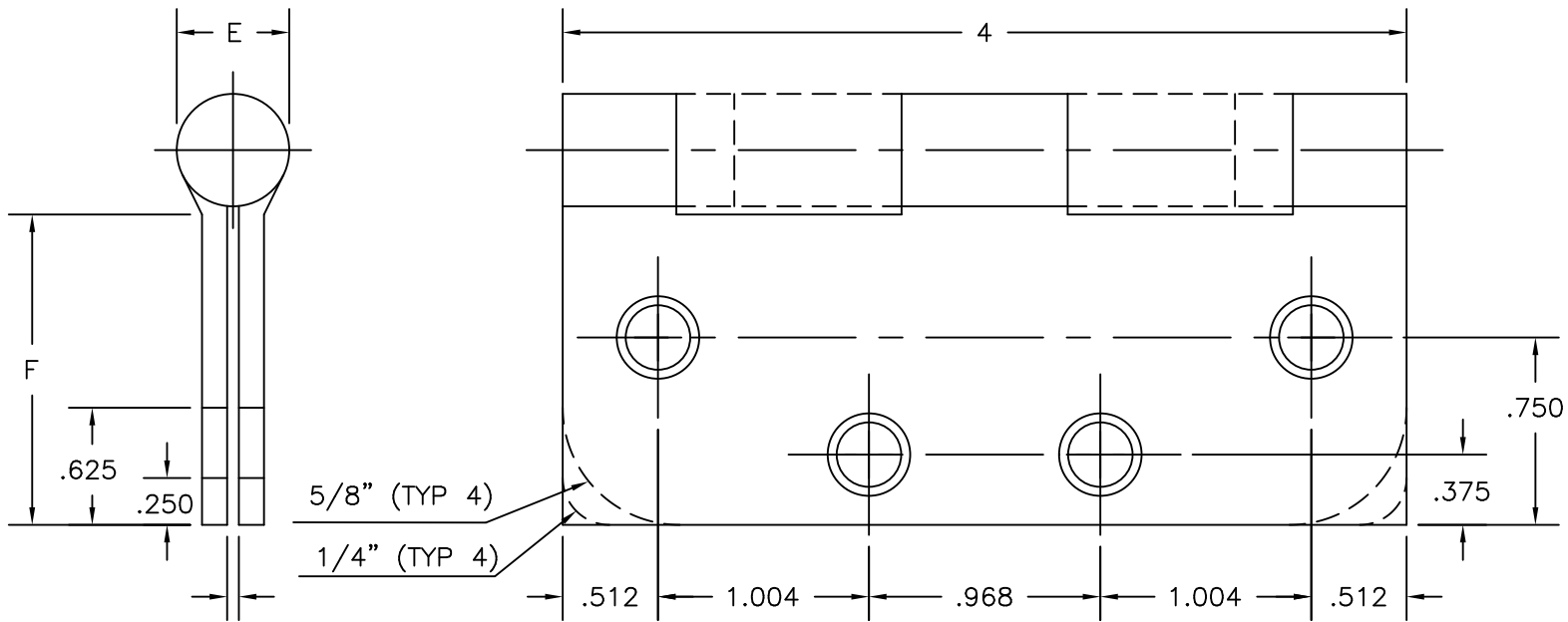


FULL MORTISE
TEMPLATE HINGES
ROUND CORNERS

Template No. T308RC
Rev. '13

SIZES: 4 x 4, 4 x 5, 4 x 6, 4 x 7



1/16

-DO NOT SCALE-

CATALOG NUMBER		METAL GAUGE	(E) KNUCKLE DIAMETER	(F) DISTANCE FROM EDGE OF LEAF TO SWAGE LINE			
STEEL HINGES	NON-FERROUS HINGES			4 x 4	4 x 5	4 x 6	4 x 7
700	800	.129	19/32	1 11/16	---	---	---
1279	1191	.129	35/64	1 11/16	2 3/16	2 11/16	3 3/16
AB700	AB800	.129	19/32	1 11/16	---	---	---
BB1279	BB1191	.129	35/64	1 11/16	2 3/16	2 11/16	3 3/16

ALL DIMENSIONS ARE IN INCHES.

Machine Screw Size— 12-24 x 1/2" F.H.

Wood Screw Size— No. 12 x 1 1/4" F.H.



Hospital type and round corner template hinges conform to the above screw size and location. They are designated by "HT" and "RC" to catalog number.

Hager template hinges are made in size, gauge and with screw holes located to conform to ANSI-A156.7.

HAGER RESERVES THE RIGHT TO MAKE DESIGN CHANGES WITHOUT NOTICE. CALL HAGER ENGINEERING AT 1-800-325-9995 FOR LATEST REVISION DATE OF TEMPLATE.

HAGER COMPANIES
139 VICTOR STREET
P.O. BOX 12300
ST. LOUIS, MISSOURI 63157-0300

Template No. T308RC