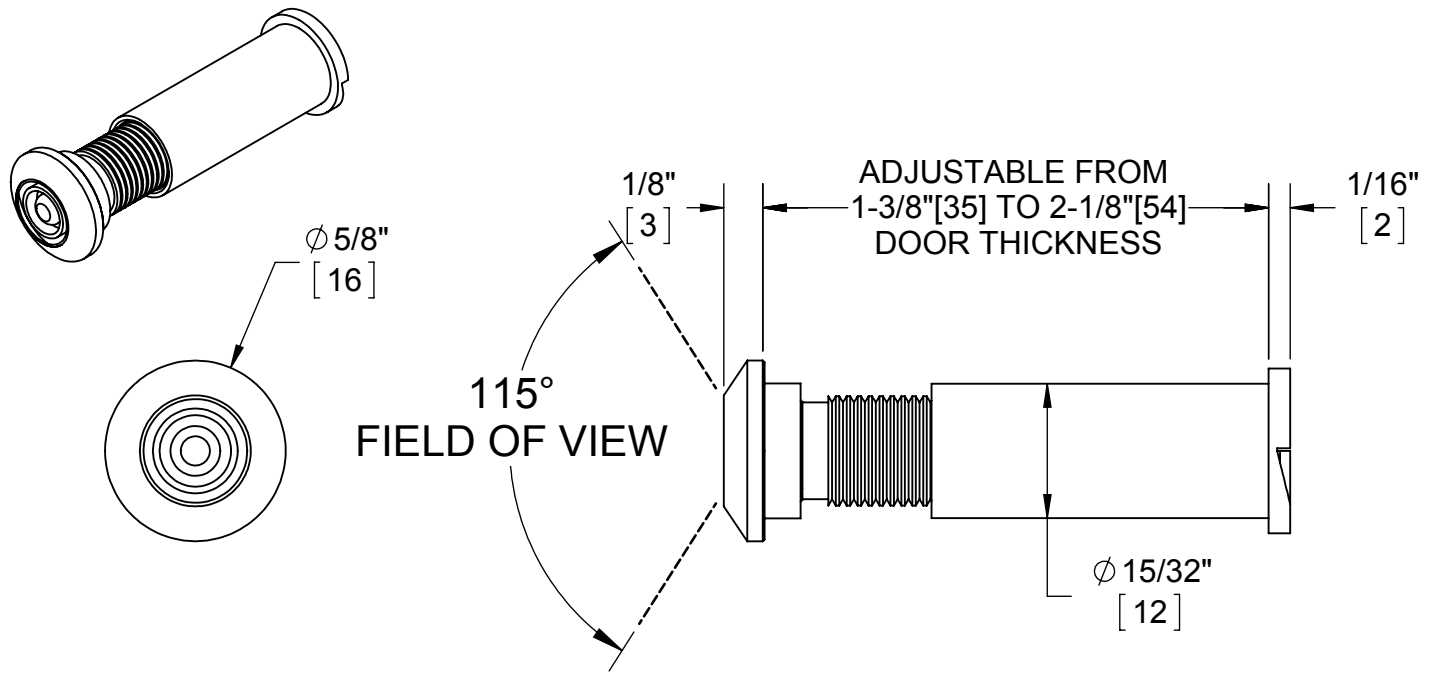
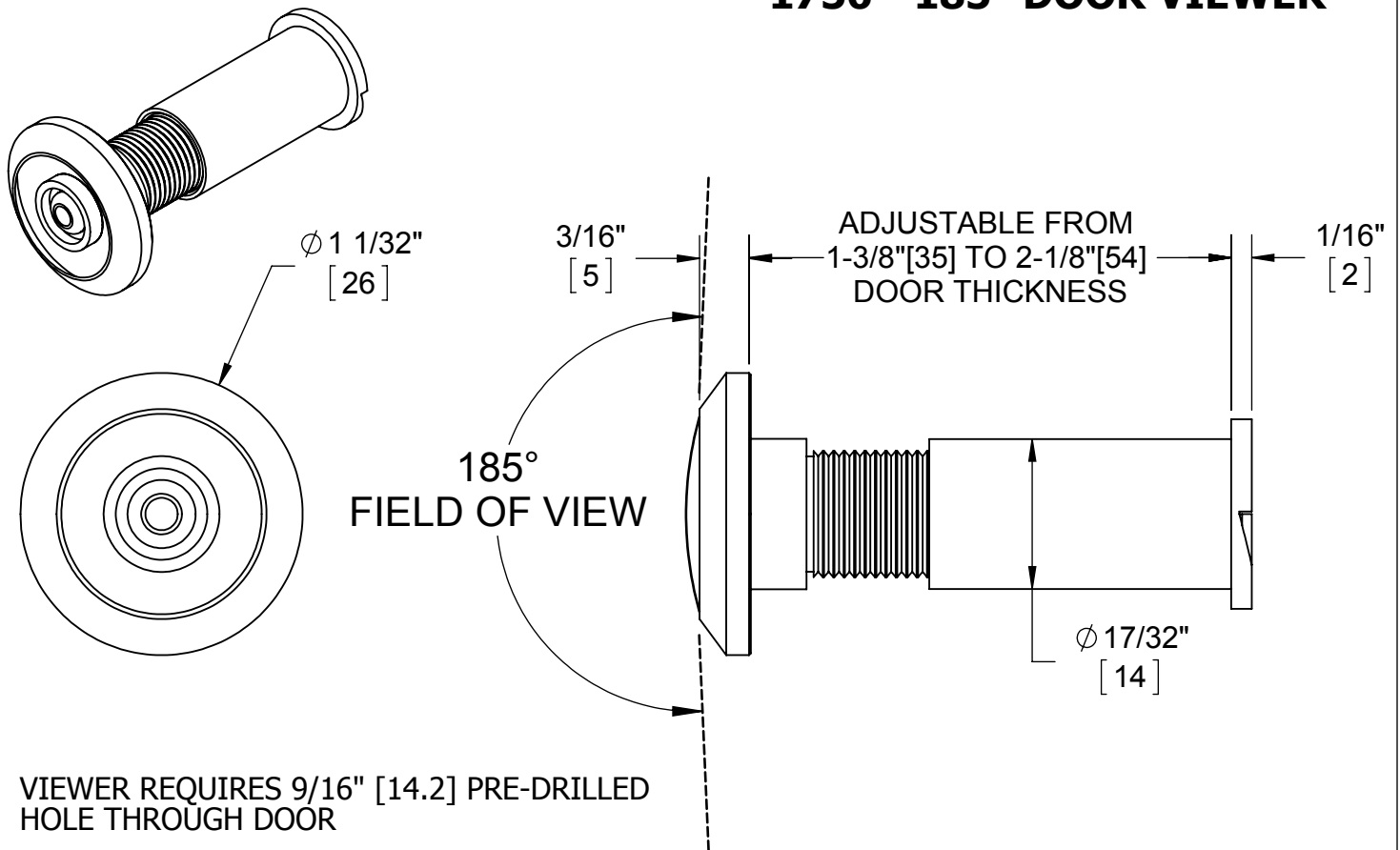


# 1755 - 115° DOOR VIEWER



VIEWER REQUIRES 1/2" [12.7] PRE-DRILLED HOLE THROUGH DOOR

# 1756 - 185° DOOR VIEWER



VIEWER REQUIRES 9/16" [14.2] PRE-DRILLED HOLE THROUGH DOOR



HAGER RESERVES THE RIGHT TO MAKE DESIGN CHANGES WITHOUT NOTICE. CALL HAGER ENGINEERING AT 1-800-325-9995 FOR THE LATEST REVISION DATE OF TEMPLATE.

PRIMARY DIMENSIONS SHOWN IN INCHES, DIMENSIONS IN [ ] ARE MILLIMETERS.

MATERIAL	Material <not specified>
FINISH	-
DO NOT SCALE DRAWING	

DRAWN	MRJ	12/16/2014
ENG. APPR.	-	-
Q.A.		
TOLERANCES:		
FRACTIONAL: ±0.015"		
ANGULAR: MACH: ± 1° BEND: ±1°		
TWO PLACE DECIMAL: ±0.01"		
THREE PLACE DECIMAL: ±0.004"		

1755 / 1756 DOOR VIEWER		
SIZE	DWG. NO.	REV.
A	S-TA00628	01
SCALE: 1:1	WEIGHT: 0.01	SHEET 1 OF 1