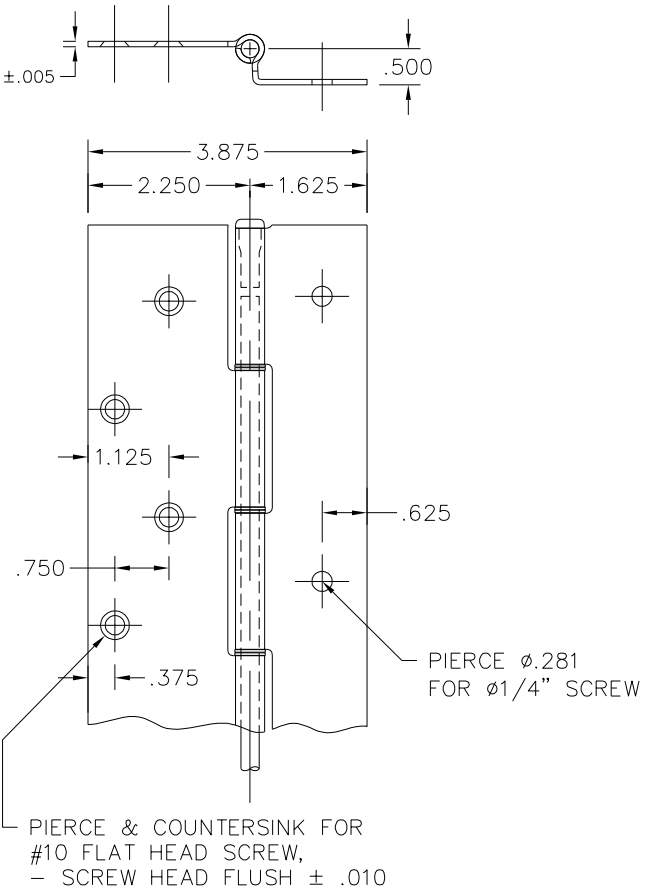


APPLICATION

SCALE: 3/4



HOLE PATTERN DETAIL

SCALE: 3/8

NOTES:

- MATERIAL: .075 STAINLESS STEEL #304-2B FINISH
- ALL DIMENSIONS ARE IN INCHES
- DRAWINGS ARE NOT TO SCALE
- KNUCKLE PATTERN MAY VARY

TOLERANCE (UNLESS NOTED)	DET	QTY	SH	STOCK SIZE	MATL	REMARKS
.X = ± .060	Bill of Material HAGER COMPANIES HAGER - MODEL 790-904 - 95" CONTINUOUS STAINLESS STEEL HINGE HAGER - 02-16-03 (REV) (K) (M) AS NOTED REMOVE ALL BURRS BREAK SHARP EDGES .010 MAX					
.XX = ± .030						
.XXX = ± .015						
ANGLE = ± 2'						
FRACTION = ± 1/32						
DRAWING NO. 790-904 - 95"						