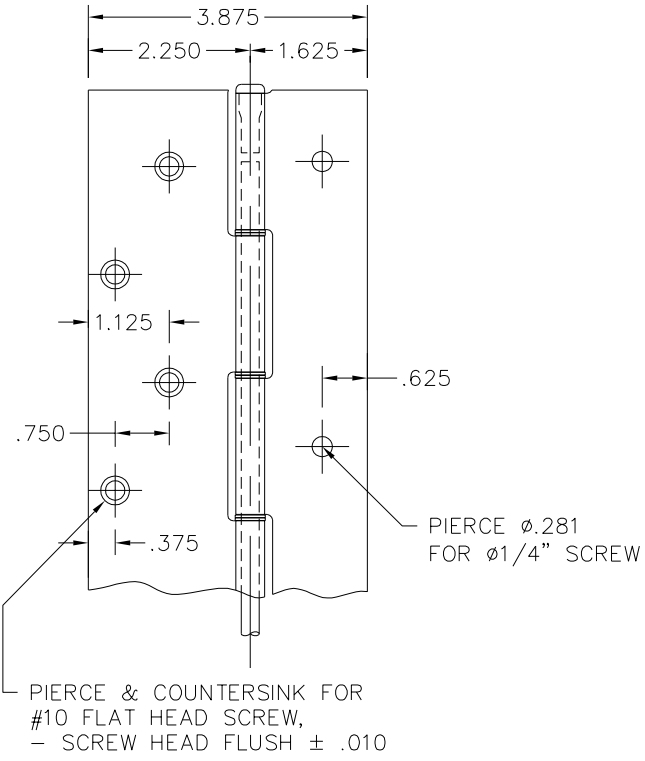
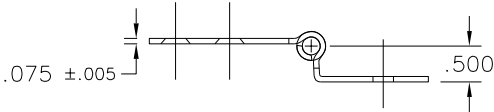


APPLICATION

SCALE: 3/4



HOLE PATTERN DETAIL

SCALE: 3/8

NOTES:

- MATERIAL: .075 STAINLESS STEEL #304-2B FINISH
- ALL DIMENSIONS ARE IN INCHES
- DRAWINGS ARE NOT TO SCALE
- KNUCKLE PATTERN MAY VARY

TOLERANCE (UNLESS NOTED)	DET	QTY	SH	STOCK SIZE	MATL	REMARKS
.X = ±.060						
.XX = ±.030						
.XXX = ±.015						
ANGLE = ± 2°						
FRACTION = ± 1/32						
REMOVE ALL BURRS BREAK SHARP EDGES .010 MAX						
Bill of Material						
REVISIONS						
HAGER COMPANIES						
HAGER - MODEL 790-904 - 119"						
CONTINUOUS STAINLESS STEEL HINGE						
DRAWING NO. 790-904 - 119"						