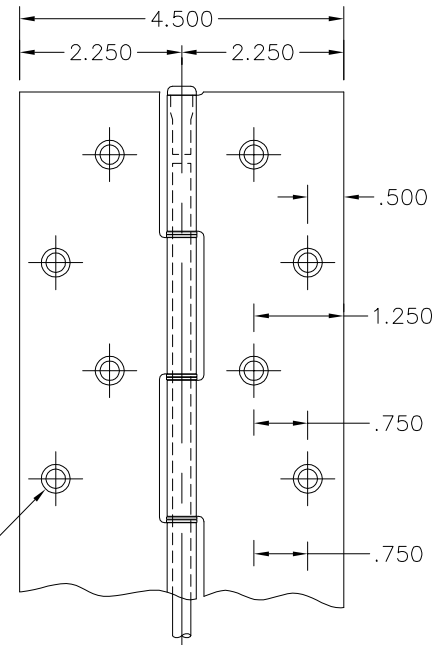
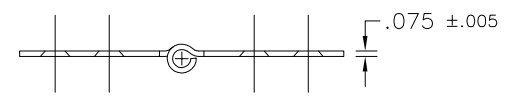


APPLICATION

SCALE: 3/4



PIERCE & COUNTERSINK FOR #10 FLAT HEAD SCREW, - SCREW HEAD FLUSH ± .010

HOLE PATTERN DETAIL

SCALE: 3/8

NOTES:

- MATERIAL: .075 STAINLESS STEEL #304-2B FINISH
- ALL DIMENSIONS ARE IN INCHES
- DRAWINGS ARE NOT TO SCALE
- KNUCKLE PATTERN MAY VARY

TOLERANCE (UNLESS NOTED)	DET	QTY	SH	STOCK SIZE	MAT'L	REMARKS
.X = ± .050						
.XX = ± .030						
.XXX = ± .015						
ANGLE = ± 2°						
FRACTION = ± 1/32						
REMOVE ALL BURRS BREAK SHARP EDGES .010 MAX						
REVISIONS				Bill of Material		
HAGER COMPANIES				HAGER - MODEL 790-900 - 79"		
HAGER - MODEL 790-900 - 79"				CONTINUOUS STAINLESS STEEL HINGE		
DATE 05-02-03				MRD SCALE AS NOTED		
FILENAME: z:\stainless\templates\790900-79.dwg				DRAWING NO. 790-900 - 79"		