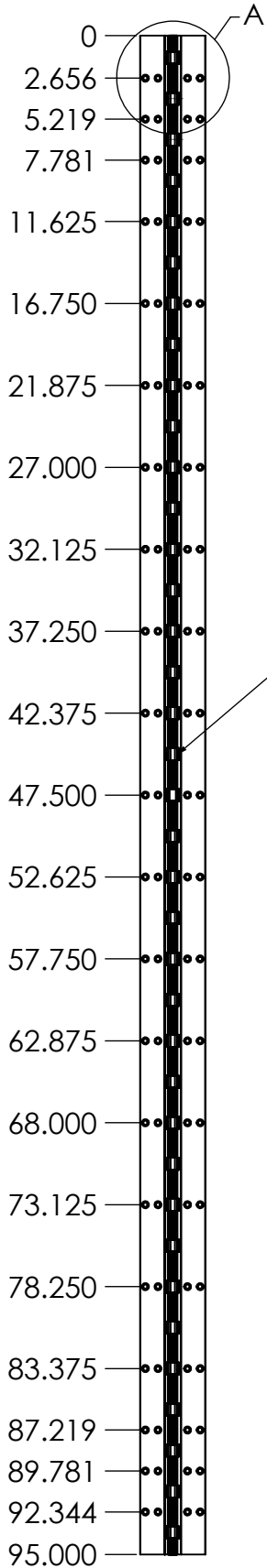
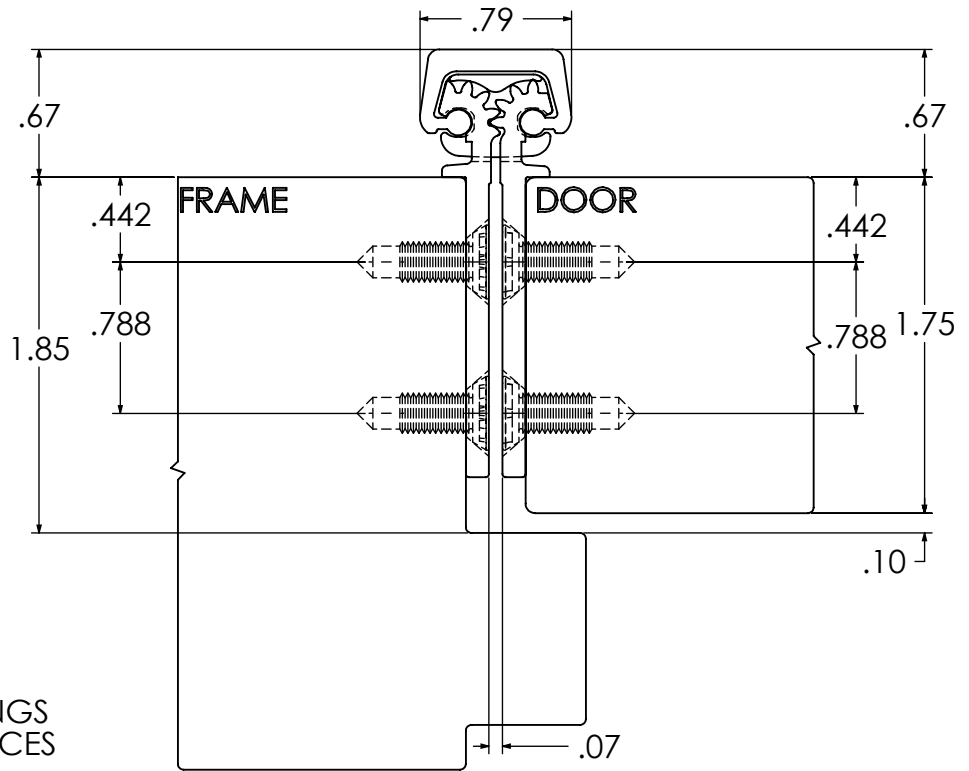


TEMPLATE FOR FULL MORTISE CONTINUOUS GEARED ALUMINUM HINGE



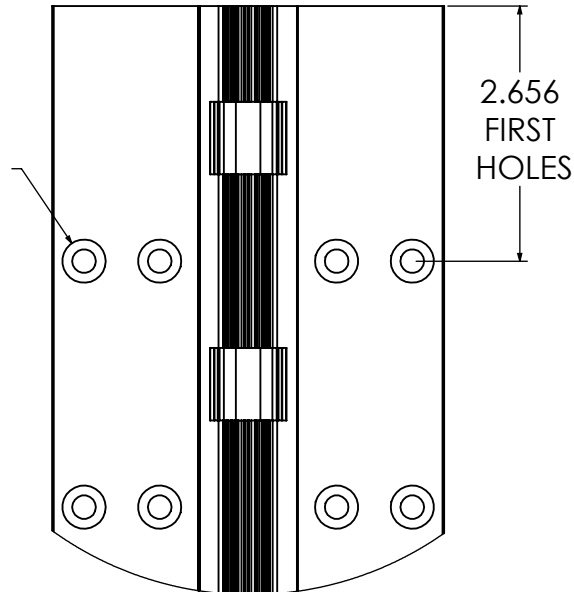
BEARINGS  
37 PLACES



SCALE 1 : 2

#12 FLAT  
HEAD SCREW  
84 PLACES

2.656  
FIRST  
HOLES



DETAIL A  
SCALE 1 : 2