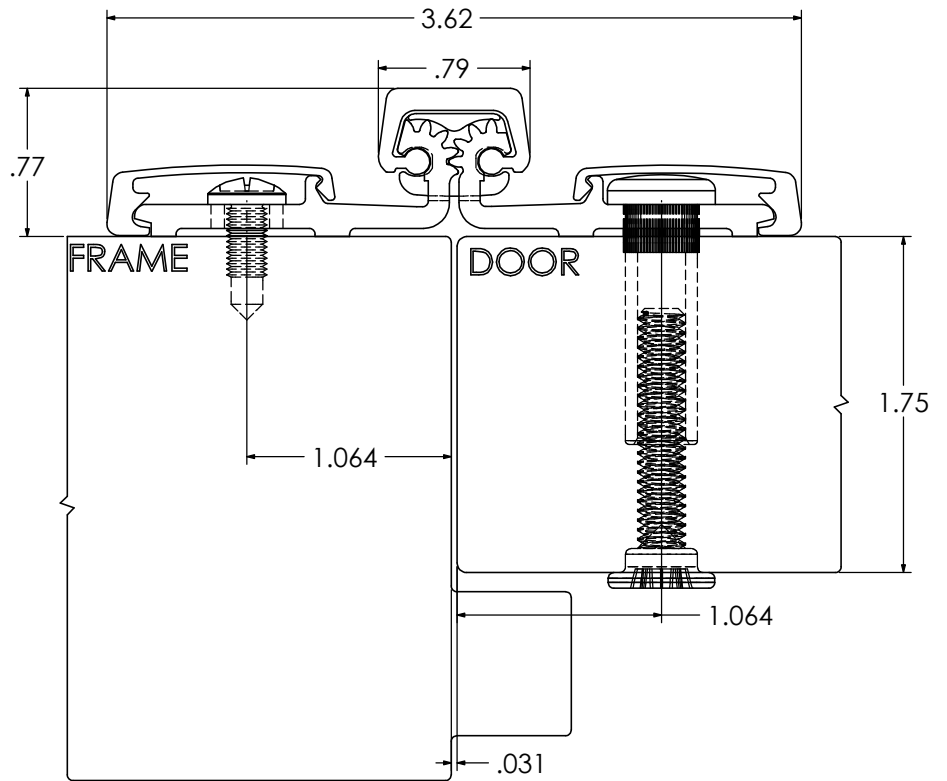
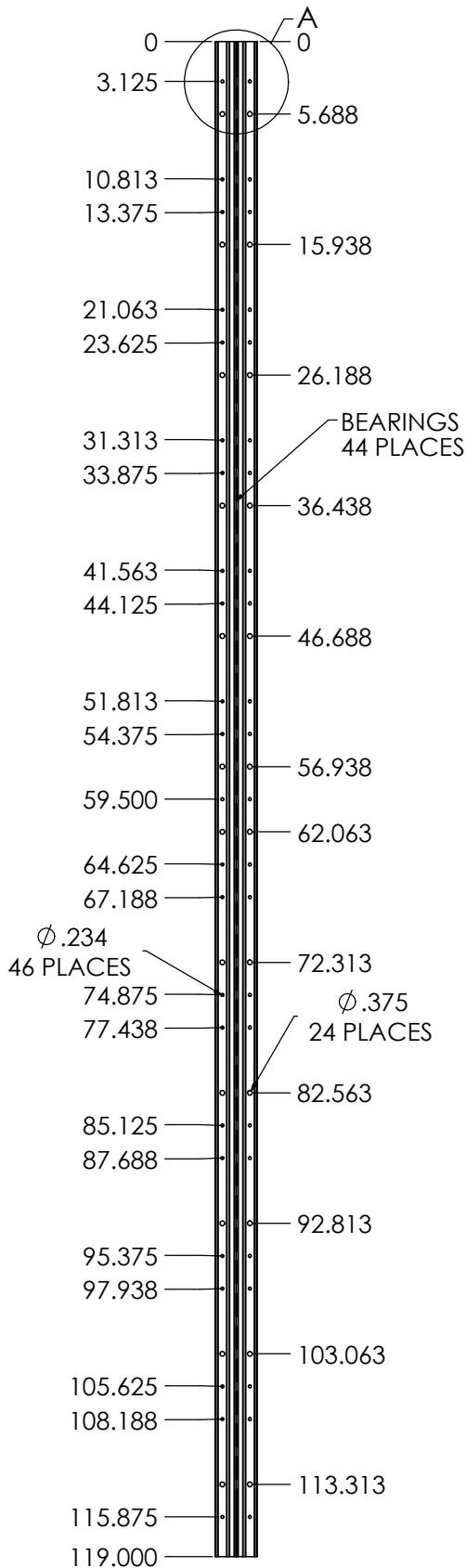
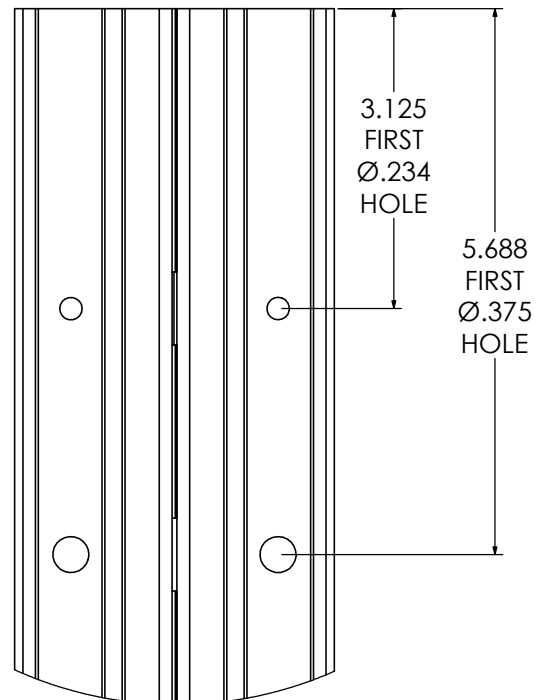


TEMPLATE FOR FULL SURFACE CONTINUOUS GEARED ALUMINUM HINGE



SCALE 1 : 1



DETAIL A  
SCALE 1 : 2