

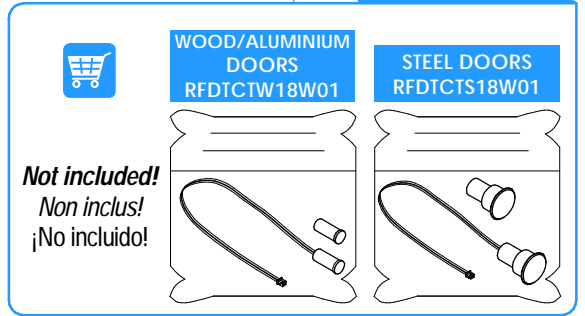
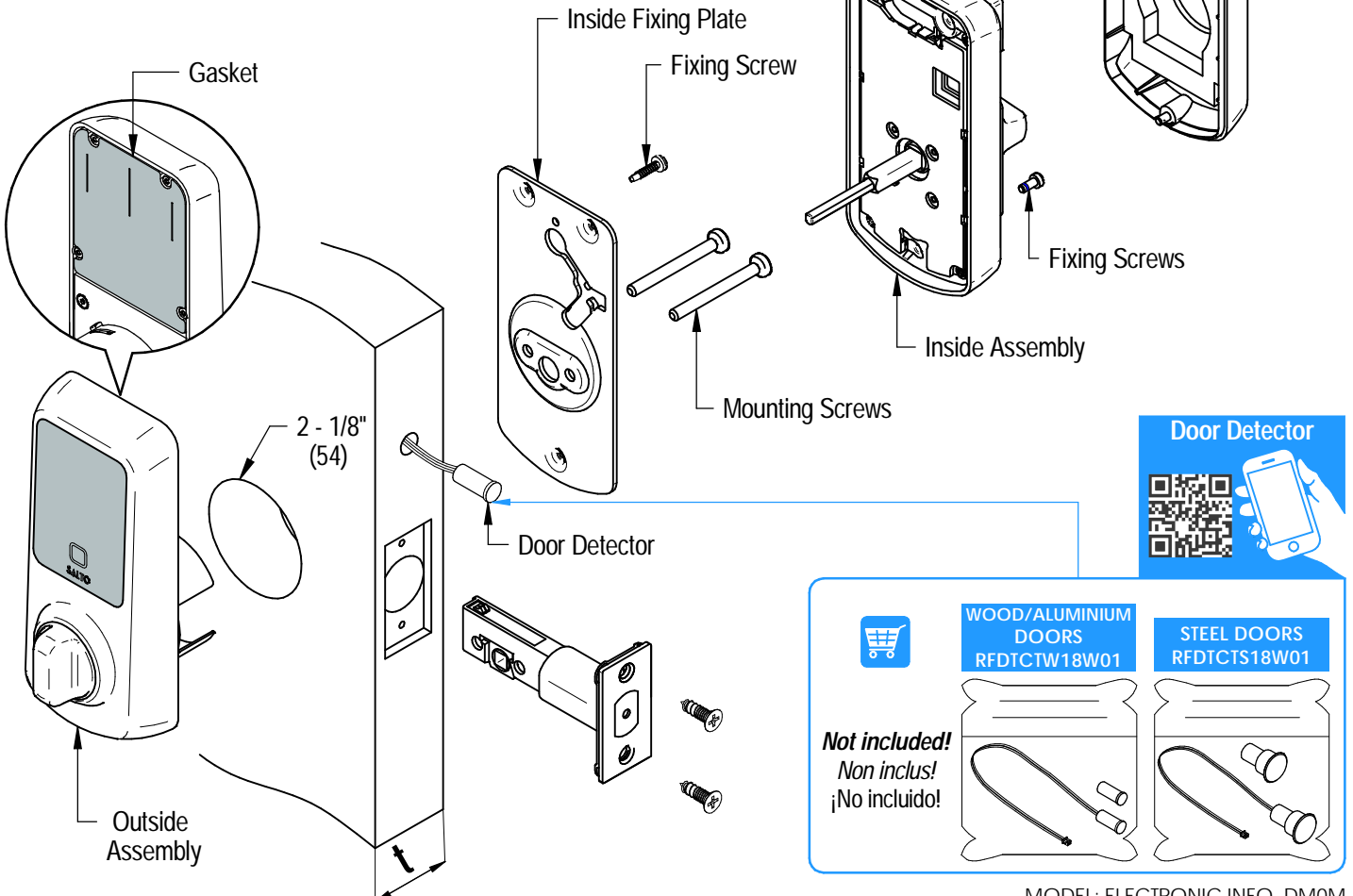
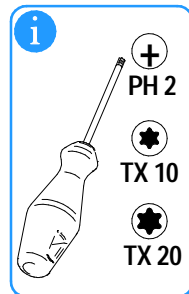
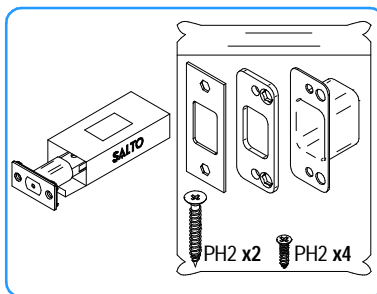
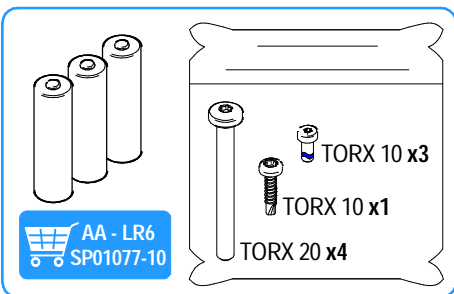
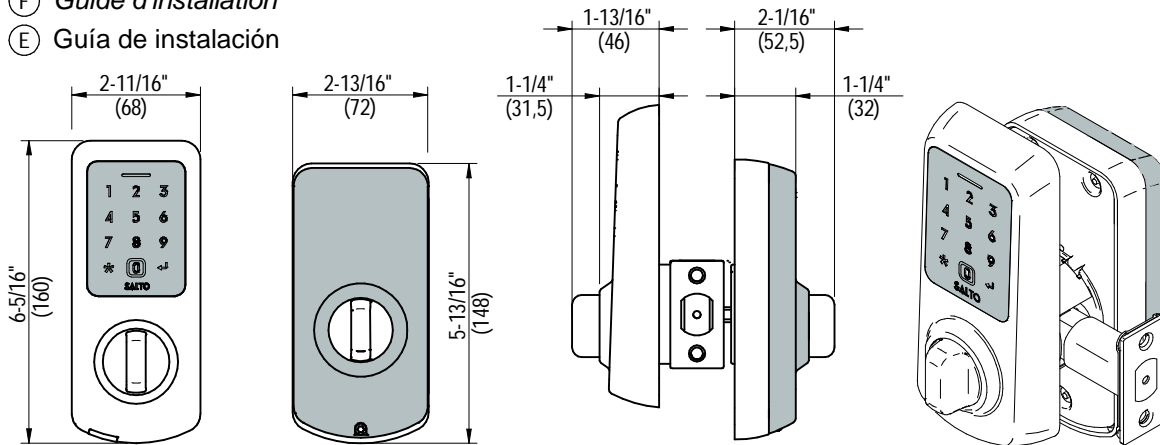
# Installation Guide

## SALTO DBolt Touch

**SALTO**  
inspiredaccess

- Eng Installation guide
- F Guide d'installation
- E Guía de instalación

DMxx.. series



# Installation Guide

## SALTO DBolt Touch

**SALTO**  
inspiredaccess

Eng Installation F Installation E Instalación

### 1 DOOR

### FRAME

PH 2 | REAL SIZE

RH

LH

### 2

### 3 3a

### 3b

### 3c

### 4

t	L
Door thickness	
1-3/8" - 1-9/16" (35 - 40 mm)	1-3/4" (45 mm)
1-9/16" - 1-3/4" (40 - 45 mm)	1-31/32" (50 mm)
1-3/4" - 1-31/32" (45 - 50 mm)	2-3/16" (55 mm)
1-31/32" - 2-3/16" (50 - 55 mm)	2-3/8" (60 mm)
2-3/16" - 2-3/8" (55 - 60 mm)	2-9/16" (65 mm)
2-3/8" - 2-9/16" (60 - 65 mm)	2-3/4" (70 mm)
2-9/16" - 2-3/4" (65 - 70 mm)	2-15/16" (75 mm)
2-3/4" - 2-15/16" (70 - 75 mm)	3-5/32" (80 mm)
2-15/16" - 3-5/32" (75 - 80 mm)	3-11/32" (85 mm)
3-5/32" - 3-11/32" (80 - 85 mm)	3-9/16" (90 mm)

### 5

TORX 10 | REAL SIZE

### 6

### 7

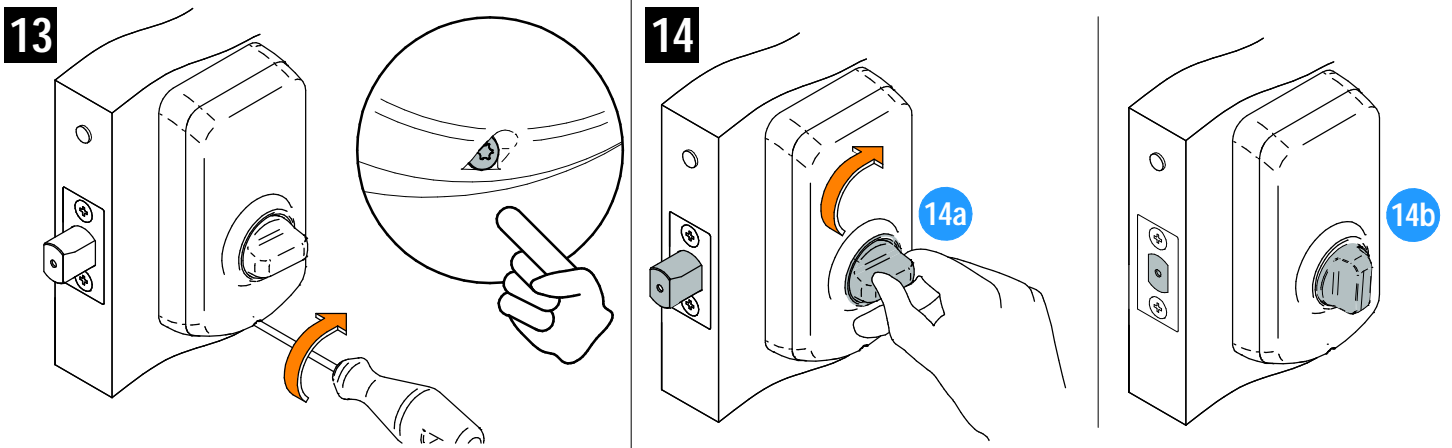
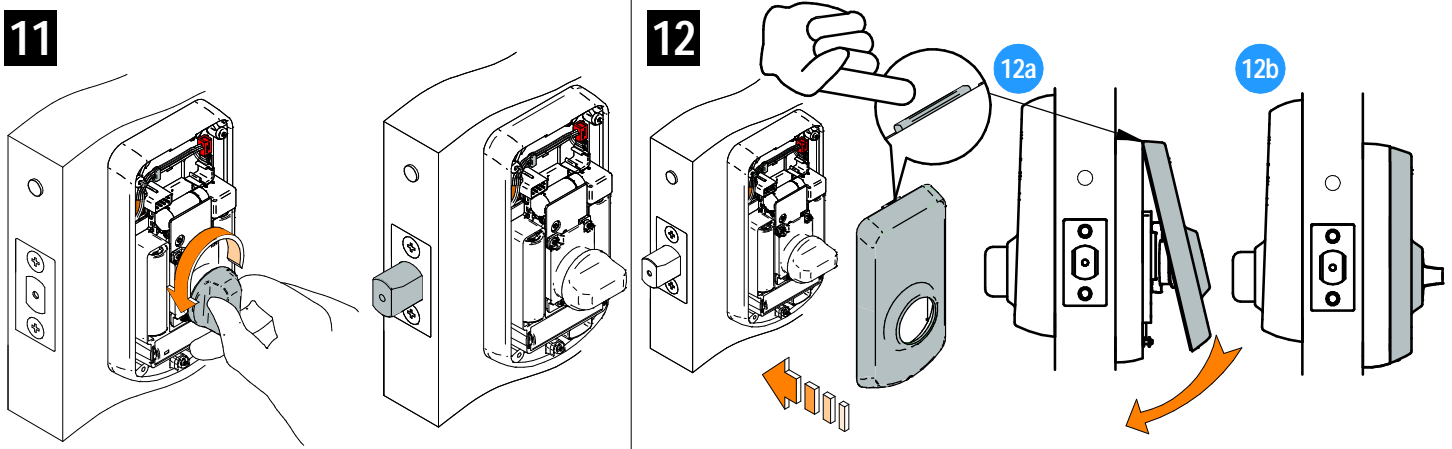
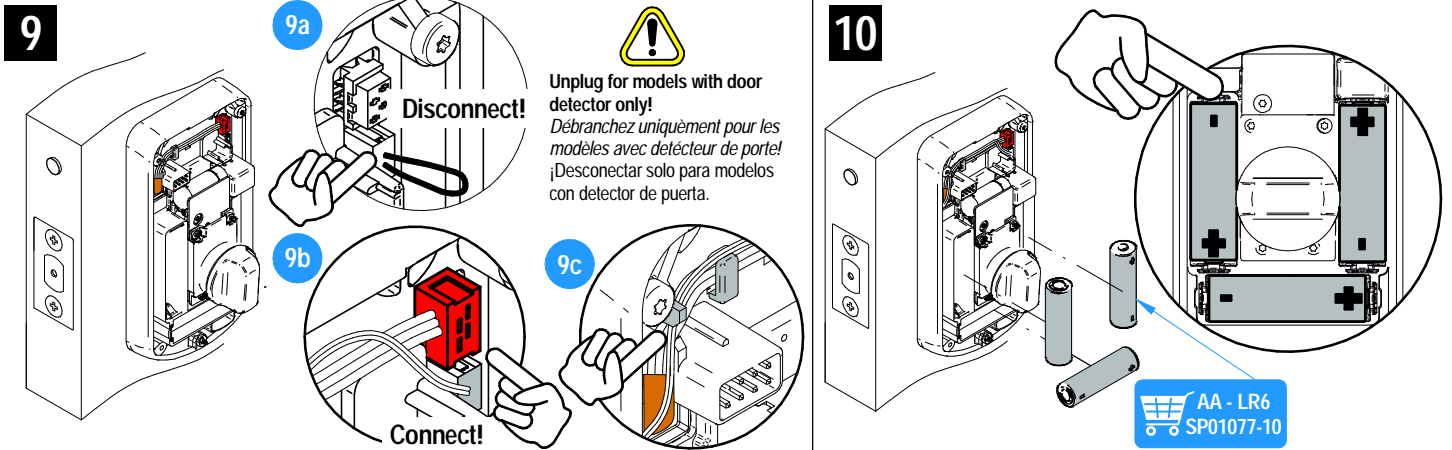
### 8

TORX 10 | REAL SIZE

# Installation Guide

## SALTO DBolt Touch

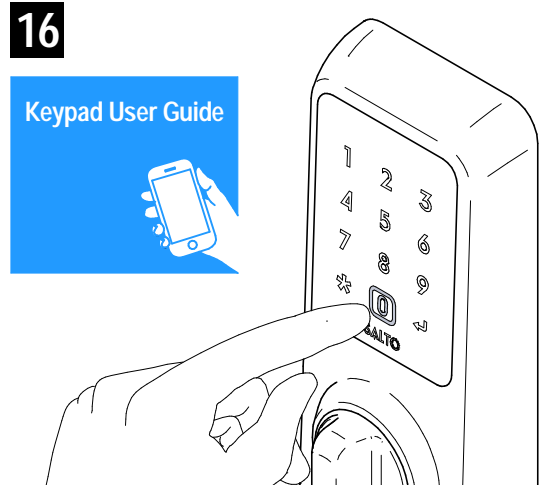
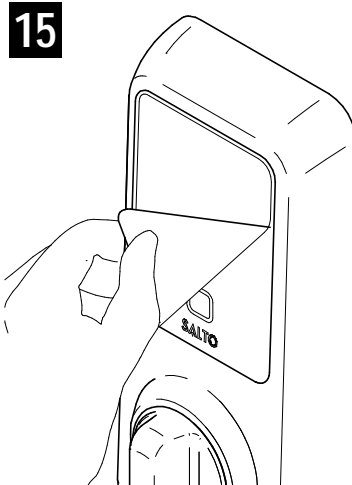
**SALTO**  
inspiredaccess



**DO NOT CLOSE THE DOOR.  
PROGRAM THE LOCK FIRST!**

**NE FERMEZ PAS LA PORTE.  
PROGRAMMEZ LA SERRURE AVANT!**

**¡NO CIERRE LA PUERTA.  
PROGRAME ANTES LA CERRADURA!**

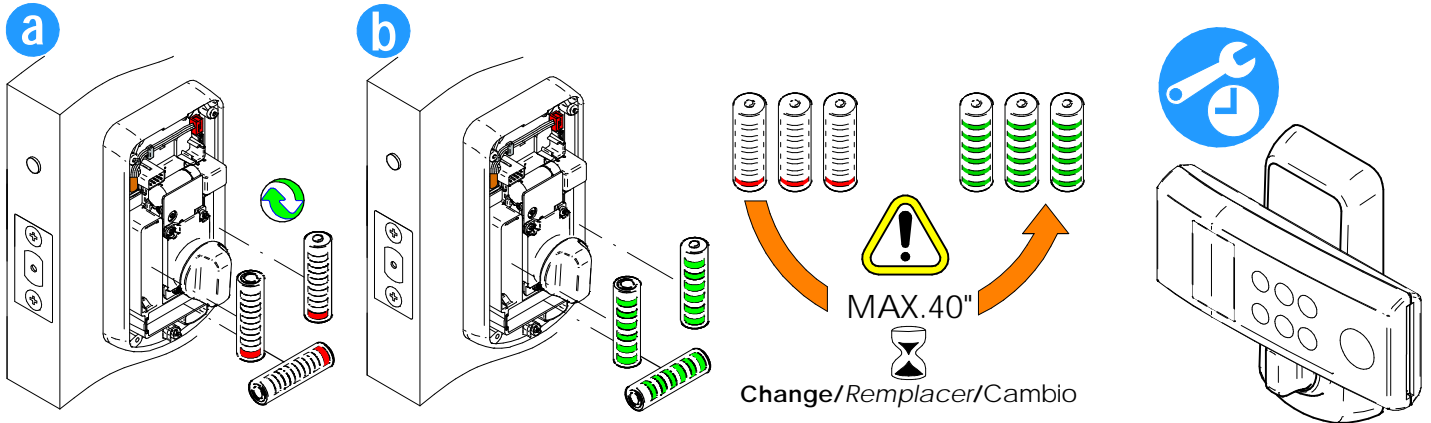


# Installation Guide

## SALTO DBolt Touch

**SALTO**  
inspiredaccess

Ⓔ Battery replacement Ⓕ Remplacer les piles Ⓖ Sustitución de pilas



Ⓔ Emergency opening Ⓕ Ouverture d'urgence Ⓖ Apertura de emergencia

