

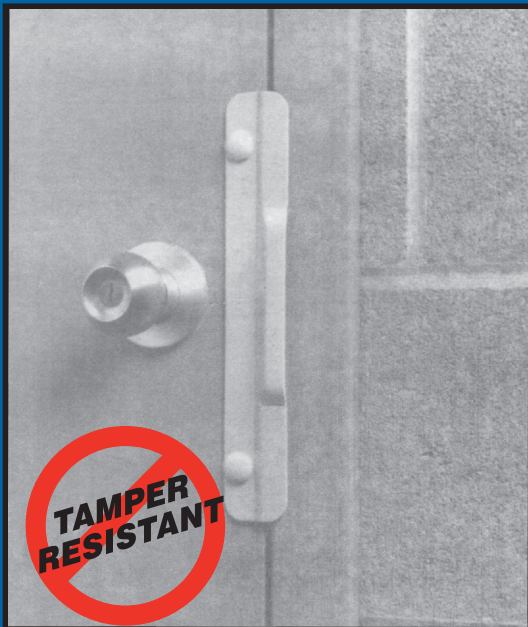
SIZE:75x305mm

**Hager**  
Quality Hardware Since 1849

# Latch Protection Plate

345D - US32D  
Satin Stainless Steel

15/8" x 10" (41 x 254 mm)



**SAFEGUARD**  
Against Intrusion

**PROHIBIT**  
Costly Repairs

- Non-Handed
- Easy installation.
- Fits standard hollow metal or wood doors
- Protect latch bolt by covering latch area
- For use with both cylindrical and mortise lock sets



HAGER COMPANIES

1 Each

345D US32D

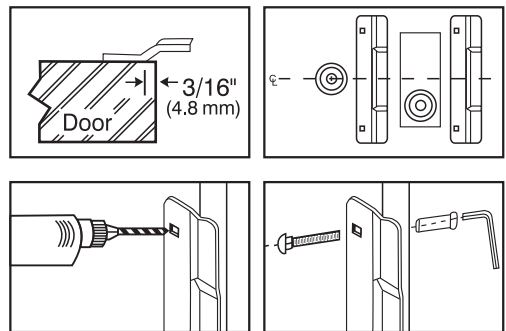
Made In  
China

## Latch Protection Plate

345D - US32D,  
Satin Stainless Steel

### Installation Instructions

The five simple steps to install this product require a drill, 5/16" (7.9 mm) and 7/16" (11.1 mm) drill bit, hammer, and wrench.



- Step # 1. Place the flat surface of the Hager Latch Protection Plate 3/16" (4.8 mm) in from the edge of the door.
- Step # 2. Center the plate vertically on the center of the lock, whether mortised or cylindrical.
- Step # 3. With the square hole held to the door, use this as a guide to drill two 5/16" (7.9 mm) diameter holes through the door.
- Step # 4. To accommodate hex sleeve nuts, enlarge inside holes to 7/16" (11.1 mm).
- Step # 5. Insert two carriage bolts from the outside and fasten with sleeve nuts on the inside.

### Limited One Year Warranty

Hager Companies (the "Company") warrants to purchasers that the products which the Company sells under the "Hager" trademark or trade name in the United States of America are free from defects in workmanship and materials under normal use and service for a period of one year from date of delivery.

This warranty does not cover defects or damage arising from improper installation, lack of or improper maintenance, improper storage, shipping and handling, ordinary wear and tear, misuse, abuse, accident, unauthorized service, or use with unauthorized products or parts.

The only liability of the Company hereunder in tort or contract, under this warranty or otherwise shall be limited to the repair or replacement of any product or component part which shall prove defective to the original purchaser from the Company. The Company will not pay for the costs or repair performed other than in accordance with this warranty.

Written notice of a product believed to be defective as covered by this warranty should be sent to Hager Companies, 139 Victor Street, P.O. Box 12300, St. Louis, Missouri 63157-0300, and should include the purchaser's name and address, identification of the product, and a brief description of the defect. Upon receipt of such notice, the Company will inform the purchaser where to ship such product, shipping charges prepaid, for examination.