

TOOLS REQUIRED

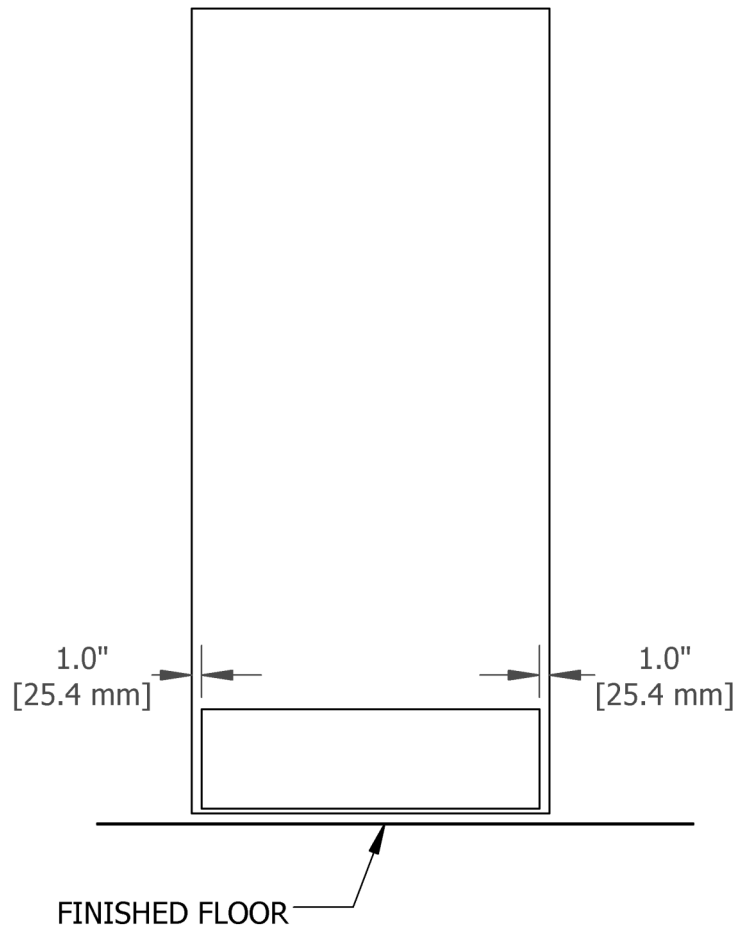
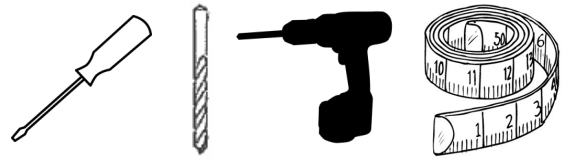


FIGURE 1

1. Place plate on door in desired position. Recommended 1" [25.4 mm] between edge of plate, and edge of door on each side. Mark all holes. (See Figure 1)
2. Center punch and drill 1/8" pilot hole.
3. Attach plate using #6 x 5/8" truss head screws.