

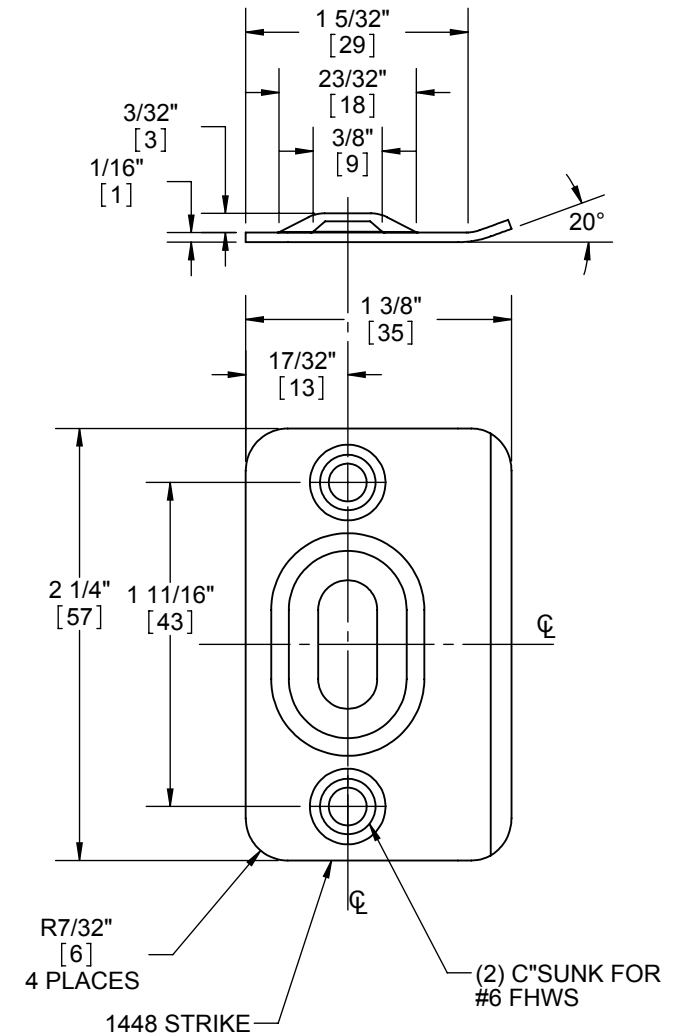
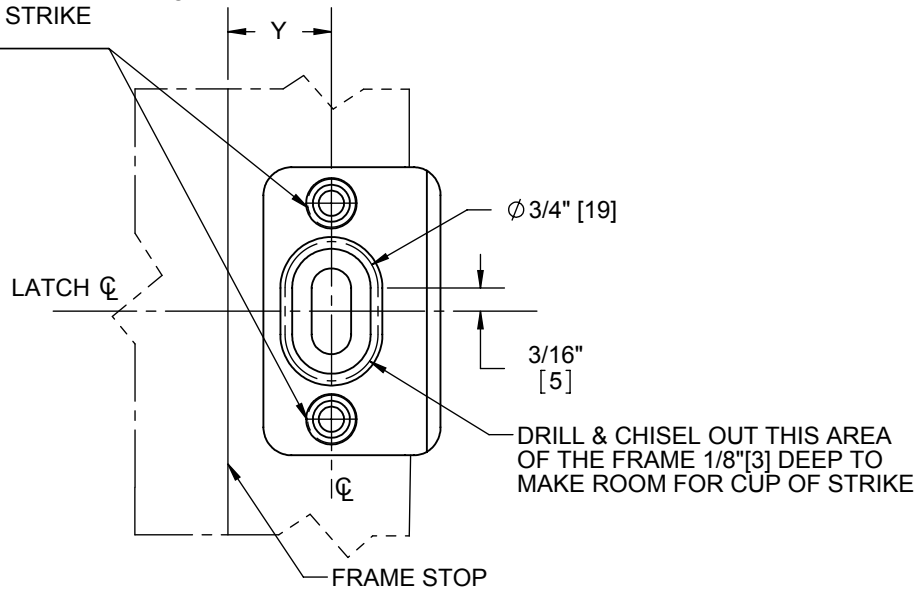
# 1448 STRIKE INSTRUCTIONS

1. CHOOSE HEIGHT AT WHICH TO MOUNT STRIKE ON FRAME.
2. MAKING SURE THE CURVED LIP FACES OUT, MARK AN OUTLINE OF THE STRIKE AND THE CENTER OF THE SCREW HOLES WITH A PEN. (USE FORMULA BELOW TO DETERMINE WHERE THE STRIKE SHOULD BE PLACED.)
3. MORTISE THIS AREA ON THE FRAME 1/16"[3] DEEP, OR UNTIL STRIKE SITS FLUSH. (SEE FRAME PREP PICTURE BELOW FOR MORE DETAILS ON PROPERLY PREPPING THE FRAME FOR A FLUSH FIT.)
4. DRILL  $\phi$  1/16"[1.5] PILOT HOLES 1"[25.4] DEEP FOR SCREWS.
5. ATTACH STRIKE USING (2) #6 SCREWS.

**NOTES:**

1. DIMENSION Y = 1/2(DOOR THICKNESS) + 1/8"

DRILL (2) 3/8"[9.5] DIA CLEARANCE HOLES 1/8"[3] DEEP IN FRAME FOR C'SUNK AREA OF STRIKE



DIMENSIONS IN [ ] ARE IN MILLIMETERS

DRAWING NO: I-TA00095

REV: 01

SHEET 1 OF 1

HAGER COMPANIES 139 Victor Street, St. Louis, MO 63104 - (800) 325-9995 - Fax (800) 782-0149

