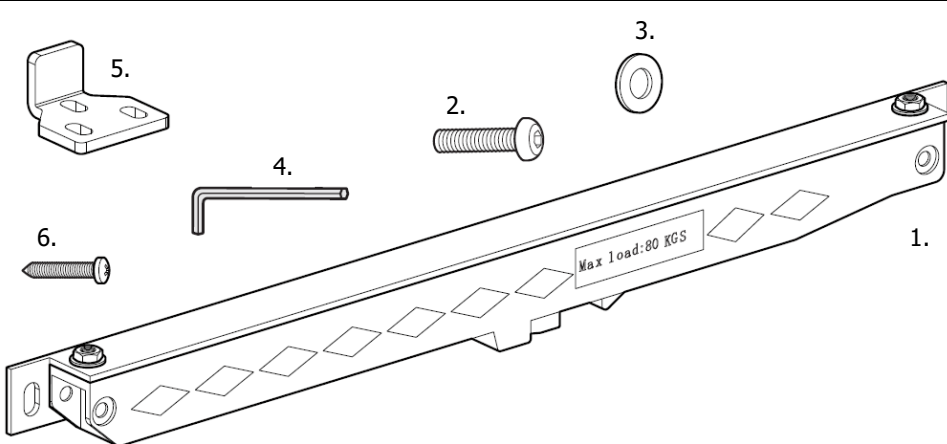
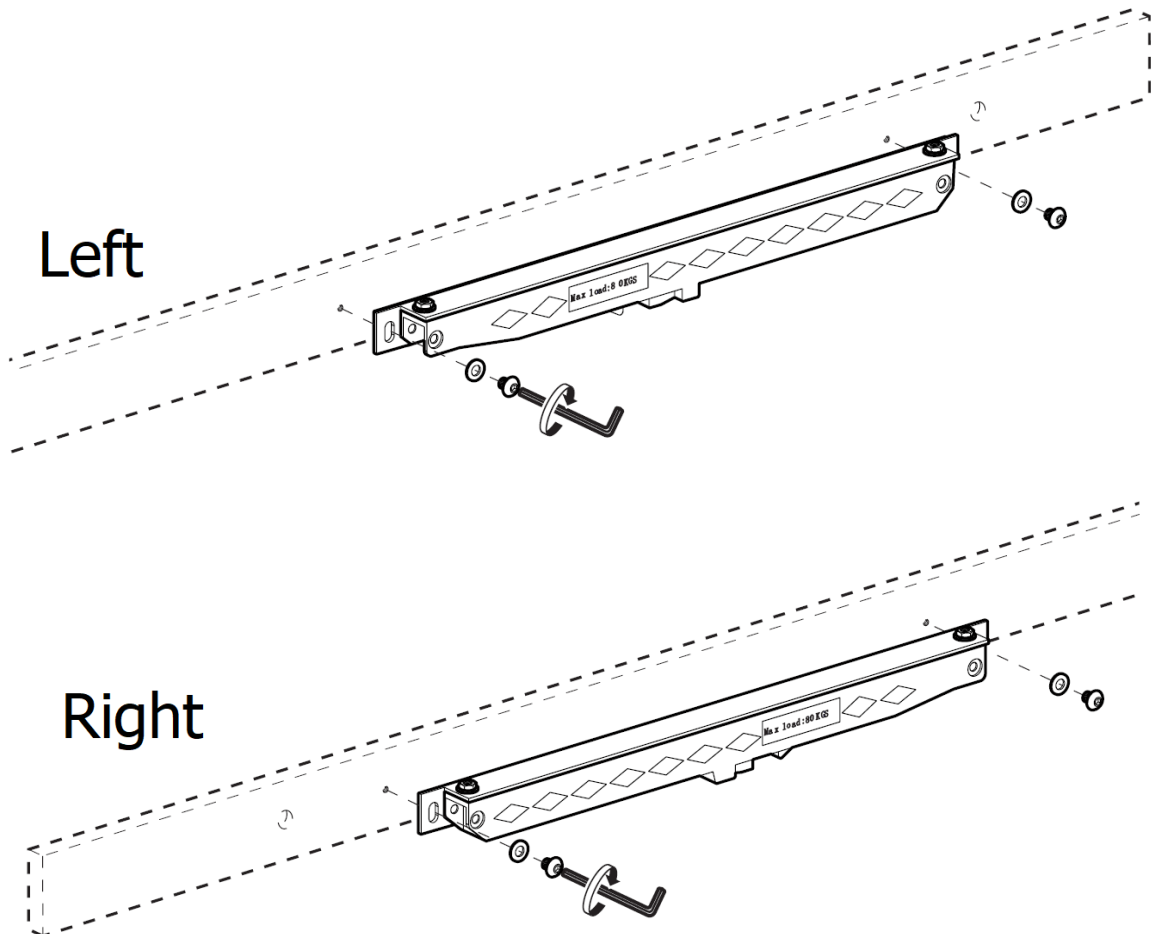


The **Soft Close and Open for eConestoga Barn Door Hardware** is for doors up to 177lbs. This optional upgrade will enable the Barn Door to open and close gently and quietly.

Contents:	Qty:	
1. Dampener	2	
2. M5-0.8 x 6mm Pan Hex Socket Head Machine Screw	4	
3. M5 Washer	4	
4. 3mm Allen Wrench	1	
5. Activator	2	
6. M4.2 x 25mm Pan Phillips Head Wood Screw	6	

1 Mount the Left and Right Dampeners to the Back of the Flat Track



2 Mount the Activators to the Door and Test

- While the door is closed, use the Activators as a template and a 1/8" drill bit to create pilot holes to the door
- Using a Phillips Head Screwdriver and the M4.2 x 25mm Pan Phillips Head Wood Screws, mount the Activators to the door
- Repeat the last two steps while the door is open

