

Installation Instructions 615 Heavy Duty Pivot

1 The Hager 615 Heavy Duty Pivot can be used for overlay type installations.

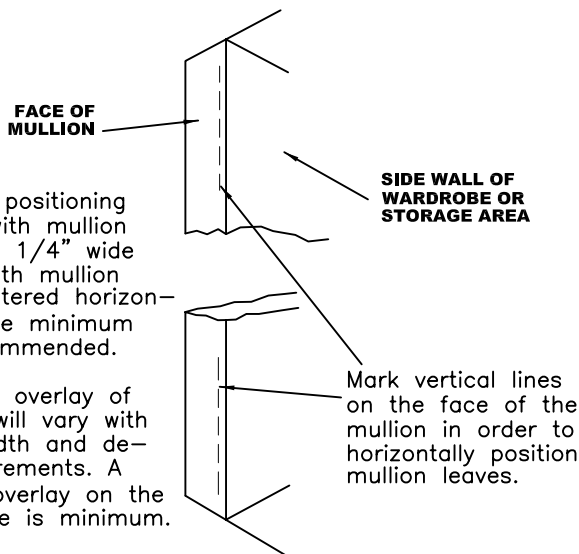


The instructions given are for an overlay installation using a 615 Pivot set mounted right handed. The 615 Pivot is reversible (not handed). Left hand installation is opposite.

2

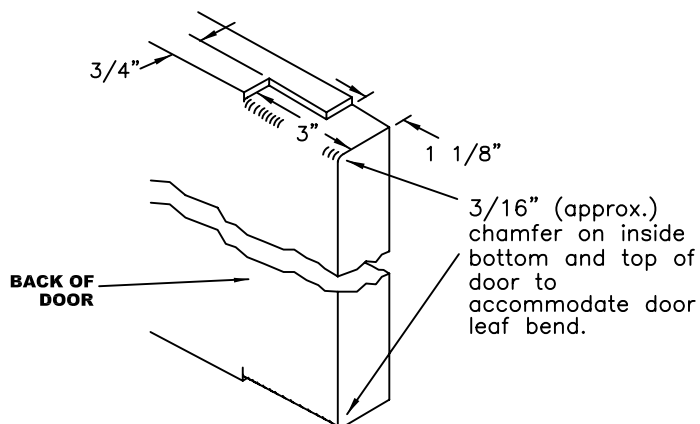
Horizontal positioning will vary with mullion width. A 1 1/4" wide mullion, with mullion leaves centered horizontally, is the minimum width recommended.

Amount of overlay of the door will vary with mullion width and design requirements. A 1 3/16" overlay on the hinged side is minimum.



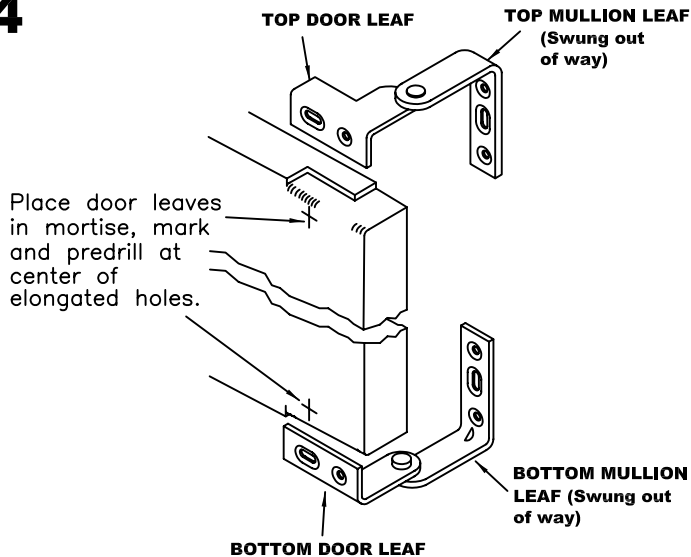
3

Mortise as shown on top and bottom of door if minimum vertical clearance is desired.



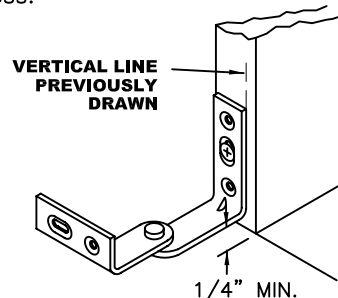
NOTE: Mortising may be eliminated if approximately 1/2" clearance at top & bottom is acceptable.

4



5

To allow for vertical adjustment and sufficient clearance under the door, the bottom mullion leaf should be mounted at least 1/4" off the floor. If carpet or other special floor coverings are used, additional clearance should be allowed equal to their thickness.

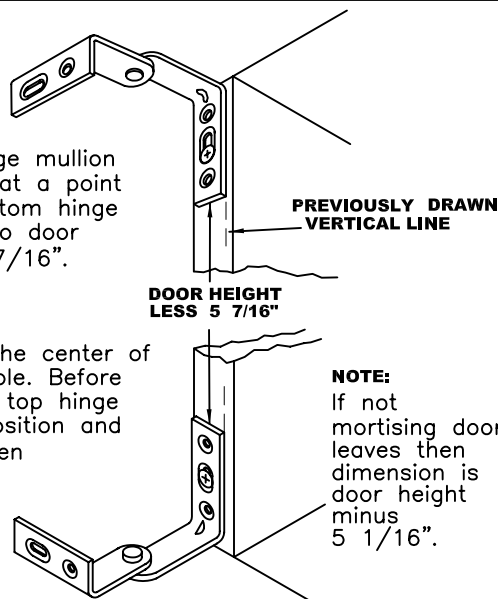


Apply bottom hinge to face of mullion using the center of the elongated hole. Be sure to line up with previously drawn vertical line.

6

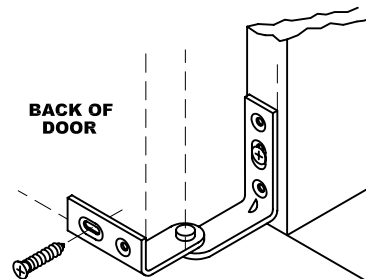
Position top hinge mullion leaf on mullion at a point from top of bottom hinge which is equal to door height less 5 7/16".

Apply screw in the center of the elongated hole. Before tightening, raise top hinge to uppermost position and temporarily tighten the screw.



7

Open bottom door leaf to 180° position. Locate bottom door mortise on bottom hinge door leaf. Apply screw through elongated hole into predrilled hole. In the same way, locate top door mortise on top hinge door leaf by dropping top jamb leaf. Apply screw into predrilled hole.



8

Make final door alignment if necessary by tapping leaves that have elongated holes. If substantial horizontal adjustment is necessary, additional mortising of the door may be required.

Apply remaining screws. Tighten all remaining screws to complete the installation. Reference template for additional information and dimensions.