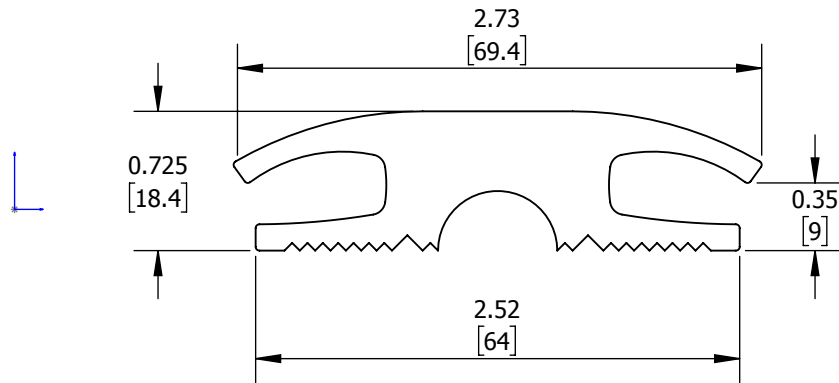



REV.	DESCRIPTION	ECO NO.	DATE
-	INITIAL CHECK IN		7/5/2017
02	UPDATED TOLERANCES FOR PPAP	NPD16011	8/11/2017



NOTES
UL10C & UL10B Rated
Material - Vinyl

 PROPRIETARY & CONFIDENTIAL THE INFORMATION CONTAINED IN THIS DRAWING IS THE SOLE PROPERTY OF HAGER COMPANIES. ANY REPRODUCTION IN PART OR AS A WHOLE WITHOUT THE WRITTEN PERMISSION OF HAGER COMPANIES IS PROHIBITED.	HAGER RESERVES THE RIGHT TO MAKE DESIGN CHANGES WITHOUT NOTICE. CALL HAGER ENGINEERING AT 1-800-325-9995 FOR THE LATEST REVISION DATE OF TEMPLATE.	DRAWN	DRS	10/26/2016	900S Carpet to Carpet Vinyl Threshold	
		MATERIAL	FPVC	ENG. APPR.		-
		FINISH	Black	Q.A.		
		DO NOT SCALE DRAWING				TOLERANCES: FRACTIONAL: $\pm 0.015"$ ANGULAR: MACH: $\pm 1^\circ$ BEND: $\pm 1^\circ$ TWO PLACE DECIMAL: $\pm 0.065"$ THREE PLACE DECIMAL: $\pm 0.030"$
		SIZE	DWG. NO.		REV.	
		A	S-TW00278		02	
		SCALE: 1:1	WEIGHT: 0.24		SHEET 1 OF 1	