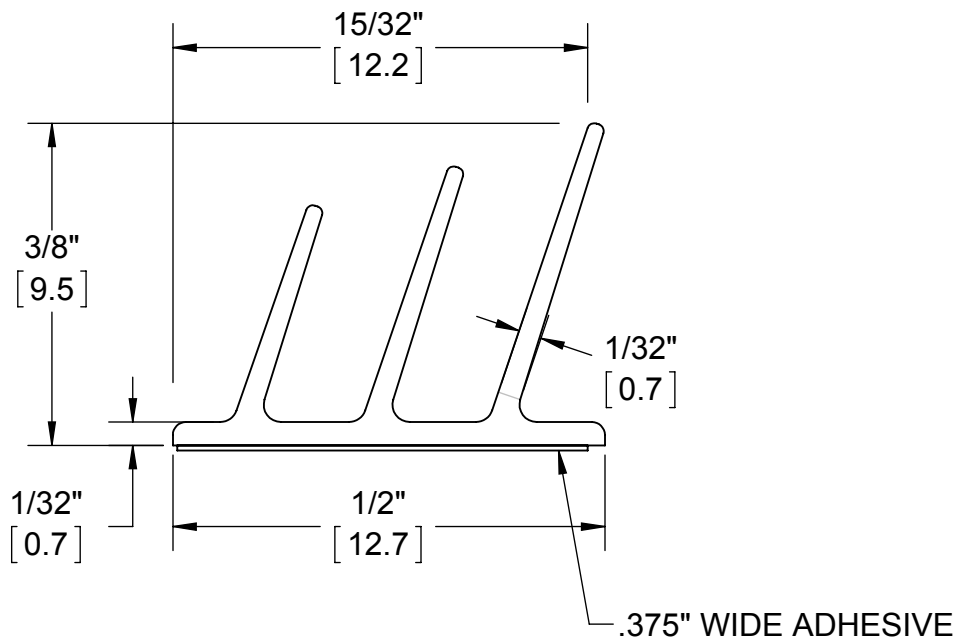


REV.	DESCRIPTION	ECO NO.	DATE
------	-------------	---------	------



PROPRIETARY & CONFIDENTIAL
 THE INFORMATION CONTAINED
 IN THIS DRAWING IS THE SOLE
 PROPERTY OF HAGER
 COMPANIES. ANY REPRODUCTION
 IN PART OR AS A WHOLE WITHOUT
 THE WRITTEN PERMISSION OF
 HAGER COMPANIES IS PROHIBITED.

HAGER RESERVES
 THE RIGHT TO
 MAKE DESIGN
 CHANGES
 WITHOUT NOTICE.
 CALL HAGER
 ENGINEERING AT
 1-800-325-9995
 FOR THE LATEST
 REVISION DATE
 OF TEMPLATE.

DRAWN	MRJ	9/29/2013
ENG. APPR.	-	-
MATERIAL	75 DURO SILICONE	
FINISH	CHARCOAL	
DO NOT SCALE DRAWING		
TOLERANCES: FRACTIONAL: $\pm 0.015''$ ANGULAR: MACH: $\pm 1^\circ$ BEND: $\pm 1^\circ$ TWO PLACE DECIMAL: $\pm 0.01''$ THREE PLACE DECIMAL: $\pm 0.004''$		

738		PRESS ON WEATHERSTRIPPING	
SIZE	DWG. NO.	REV.	
A	S-TW00267	-	
SCALE: 1:2	WEIGHT:	SHEET 1 OF 1	