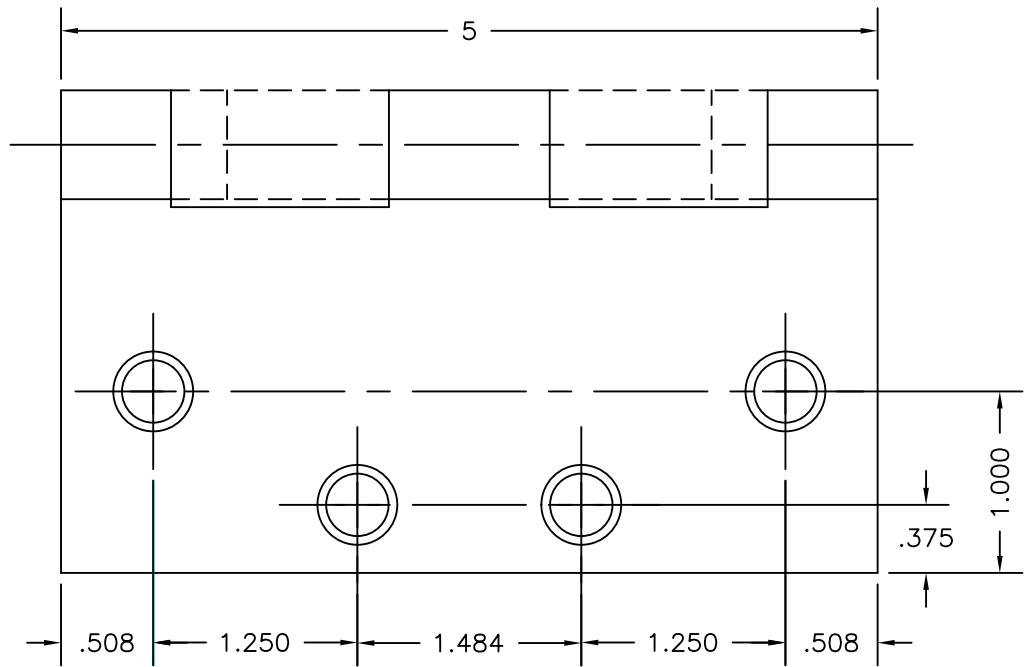
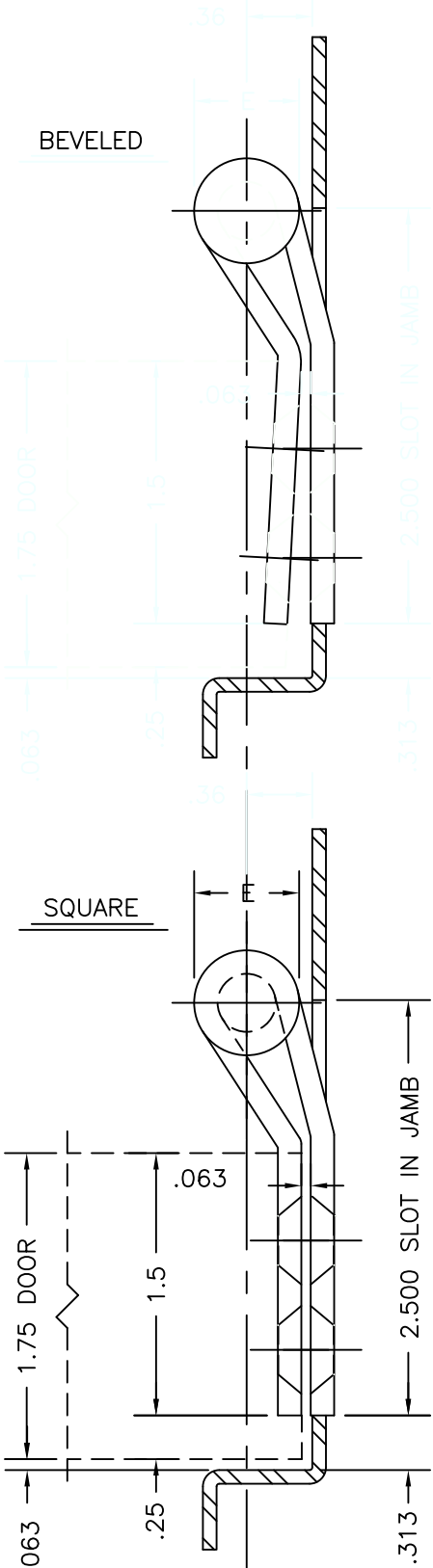


TEMPLATE FOR RAISED  
BARREL HINGES

Template No. T-RB  
Rev. FOR COMPUTER

SIZES: 5 x 1 3/4 DOOR



-DO NOT SCALE-

CATALOG NUMBER		METAL GAUGE	(E) KNUCKLE DIAMETER
STEEL HINGES	NON-FERROUS HINGES		
700	800	.134	5/8
1279	1191	.134	5/8
AB700	AB800	.134	5/8
BB1279	BB1191	.134	5/8
AB750	AB850	.180	23/32
BB1168	BB1199	.180	47/64

ALL DIMENSIONS ARE IN INCHES.  
Machine Screw Size- 12-24 x 1/2" F.H.  
Wood Screw Size- No. 12 x 1 1/4" F.H.



Hospital type and round corner template hinges conform to the above screw size and location. They are designated by "HT" and "RC" to catalog number.

Hager template hinges are made in size, gauge and with screw holes located to conform to ANSI-A156.7.

HAGER RESERVES THE RIGHT TO MAKE DESIGN CHANGES WITHOUT NOTICE. CALL HAGER ENGINEERING AT 1-800-325-9995 FOR LATEST REVISION DATE OF TEMPLATE.

HAGER COMPANIES  
139 VICTOR STREET  
P.O. BOX 12300  
ST. LOUIS, MISSOURI 63157-0300

Template No. T-RB