

A photograph of a modern office interior. In the foreground, a wall-mounted sliding door with a frosted glass panel is partially open. The door is set in a dark, metallic frame. The office space beyond the door is bright and clean, featuring a long, light-colored table, several ergonomic office chairs, and a large window. A large, semi-transparent red graphic overlay covers the right side of the image, containing the main title text.

WALL-MOUNT SLIDING DOOR HARDWARE

One Family. One Brand. One Vision.™
www.hagerco.com

Architecturally Designed Wall-Mount
Sliding Door Hardware for Commercial
and Residential Spaces

9710 Aluminum Wall-Mount System

Aluminum wall-mount track, fascia, end caps and hardware for heavy duty single door and bi-parting doors.

Headliners

- Track supports up to 250 lbs
- Easy glide 4-wheel ball bearing carriers
- Fastener concealment
- Two finishes to choose between: anodized aluminum or dark bronze

Advantages

- Effortless installation
- Ergonomically designed
- Architecturally appealing
- Space saving solution

Applications

- | | |
|---------------|--------------|
| Commercial: | Residential: |
| • Office | • Restroom |
| • Healthcare | • Pantry |
| • Hospitality | • Closets |

Mechanical Specifications

Door Thickness: 1" to 1-3/4"

Load Rating: Up to 250 lbs

Length Options: 60" (1524 mm)
72" (1839 mm)
96" (2438 mm)
144" (3658 mm)

Track Material: Extruded aluminum

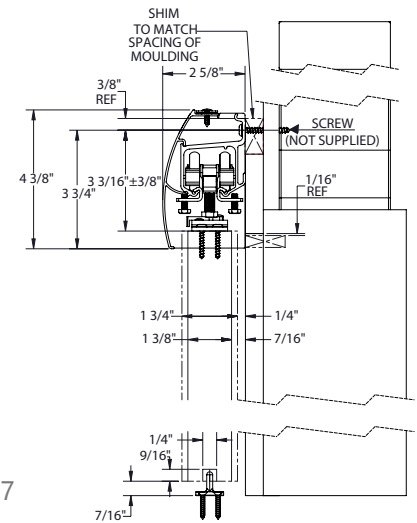
Carrier: 4-wheel ball bearing

Compares To: Pemko 280SWT,
Johnson 2610F,
2610FB

Conforms To: ANSI BHMA A156.14-2007
Grade 1, D8011
Grade 2, D8721

Finishes: Clear Anodized Aluminum (CLA)
Dark Bronze Anodized (DBA)

Side Wall-Mount



Effortless Installation



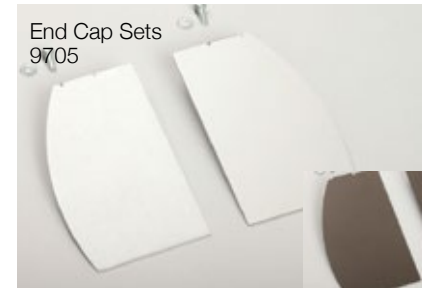
Step 1: Install wall-mount track.



Step 2: Secure end caps to fascia.



Step 3: Snap fascia onto wall-mount track.



Hager Companies

139 Victor Street
Saint Louis, MO 63104
800-325-9995
www.hagerco.com



5-500-0640