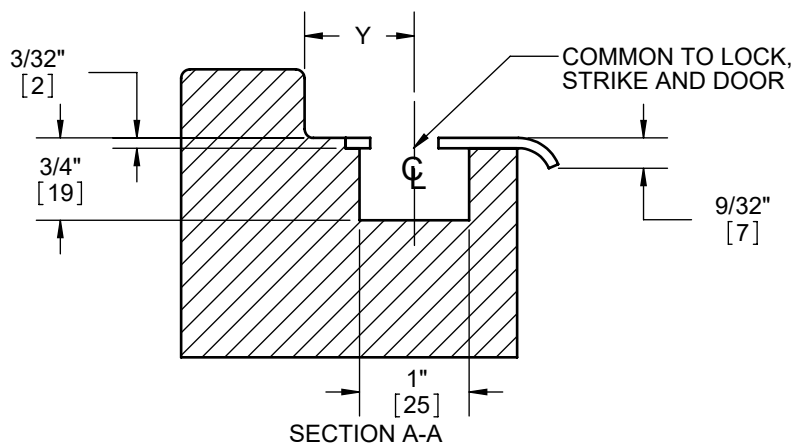
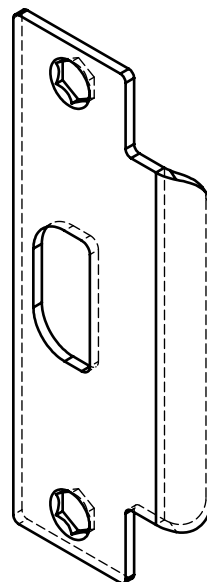
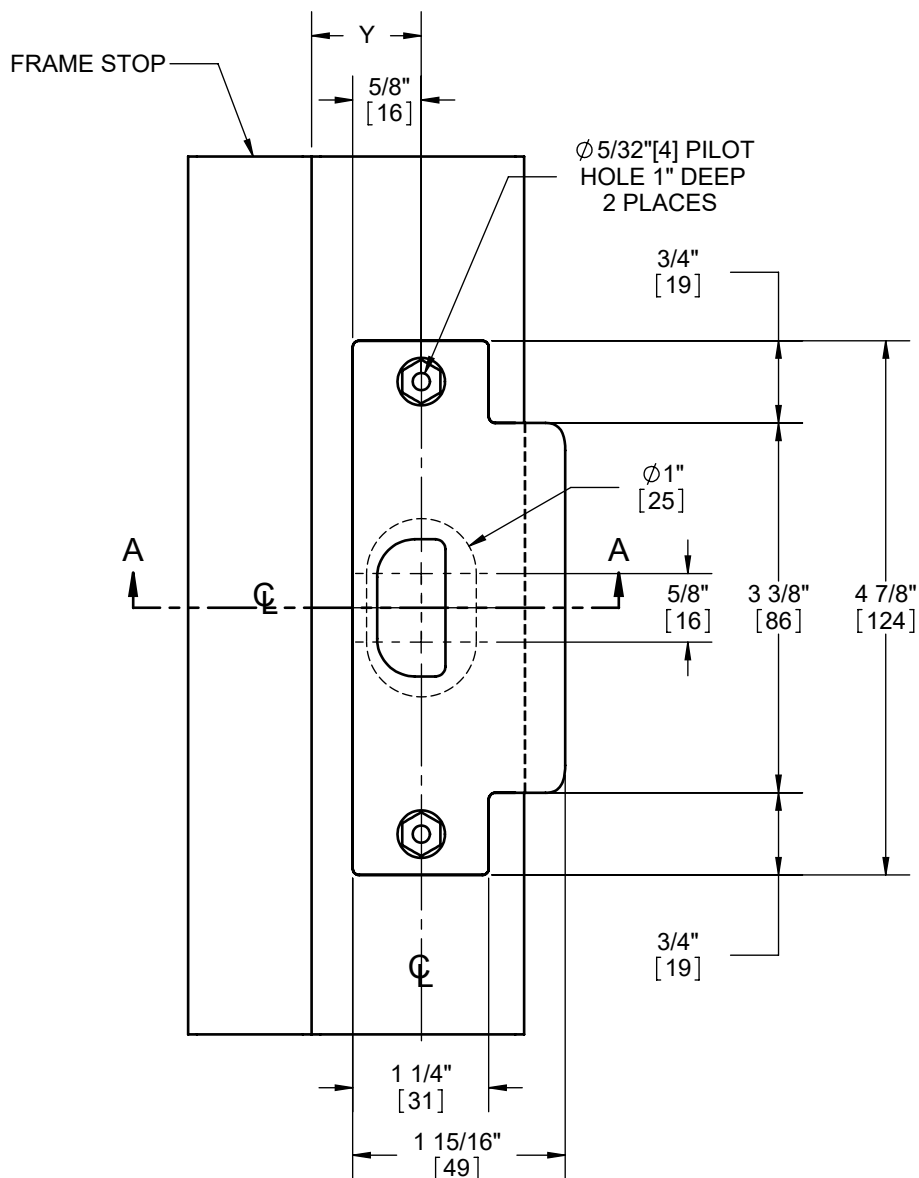


3935 ASA STRIKE WOOD JAMB PREP TEMPLATE



NOTES;

1. DIMENSION "Y" IS A FUNCTION OF DOOR THICKNESS.
2. STRIKE LOCATION MUST BE CHANGED RELATIVE TO THICKNESS OF DOOR SILENCER OR WEATHERSTRIPPING WHEN USED.

DIMENSIONS IN [] ARE IN MILLIMETERS

