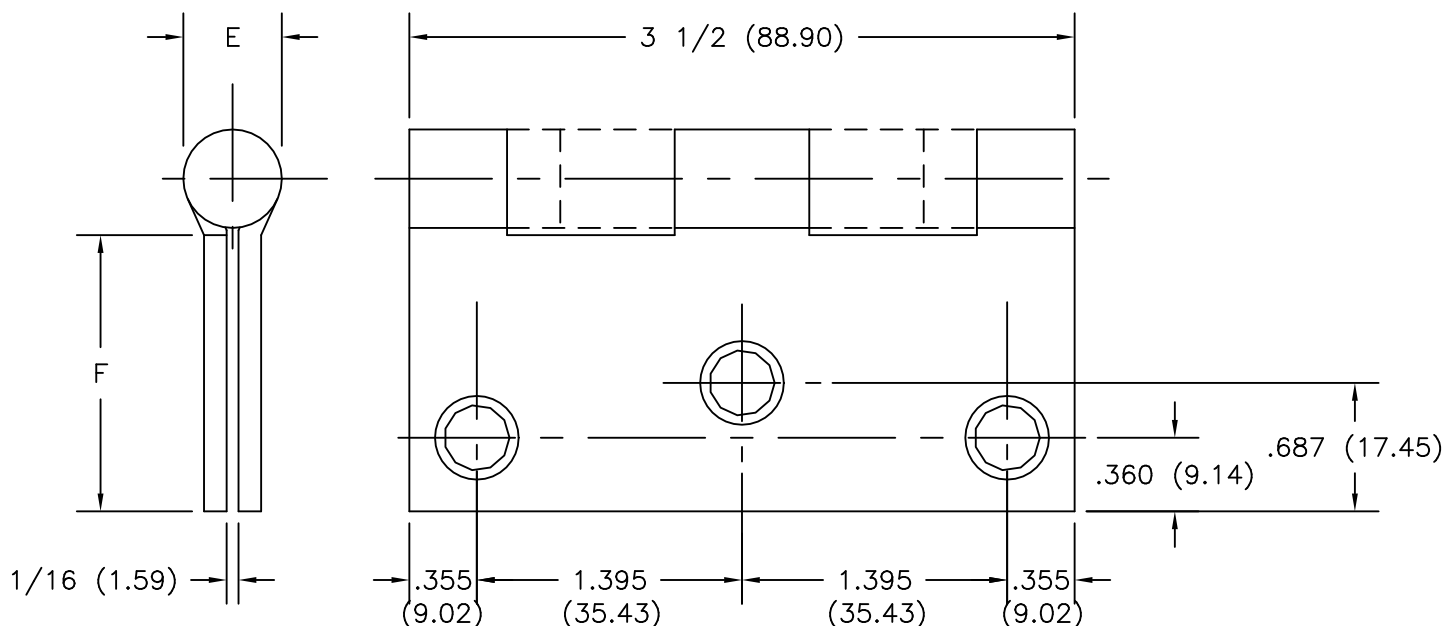


FULL MORTISE  
NON TEMPLATE HINGES

Template No. T305  
Rev. '96

SIZES: 3 1/2 x 3 1/2 --- 3 1/2 x 5 --- 3 1/2 x 6  
(88.90 x 88.90) (88.90 x 127.00) (88.90 x 152.40)



-DO NOT SCALE-

CATALOG NUMBER		METAL GAUGE	(E) KNUCKLE DIAMETER	(F) DISTANCE FROM EDGE OF LEAF TO SWAGE LINE
STEEL HINGES	NON-FERROUS HINGES			3 1/2 x 3 1/2 (88.90 x 88.90)
1279	1191	.119 (3.02)	17/32 (13.49)	1 3/8 (34.93)
BB1279	BB1191	.119 (3.02)	17/32 (13.49)	1 3/8 (34.93)

ALL NON-BRACKETED DIMENSIONS ARE IN INCHES, ALL BRACKETED DIMENSIONS ARE IN MILLIMETERS.

Machine Screw Size- 10-24 x 1/2" F.H. WITH NO. 9 HEAD

Wood Screw Size- No. 9 x 1" F.H.

NOTE: See Template T304 for template hole pattern.

CHANGED PER ECO CT08029 SLJ 05.01.09



HAGER RESERVES THE RIGHT TO MAKE DESIGN CHANGES WITHOUT NOTICE. CALL HAGER ENGINEERING AT 1-800-325-9995 FOR LATEST REVISION DATE OF TEMPLATE.

HAGER COMPANIES  
139 VICTOR STREET  
P.O. BOX 12300  
ST. LOUIS, MISSOURI 63157-0300

Template No. T305