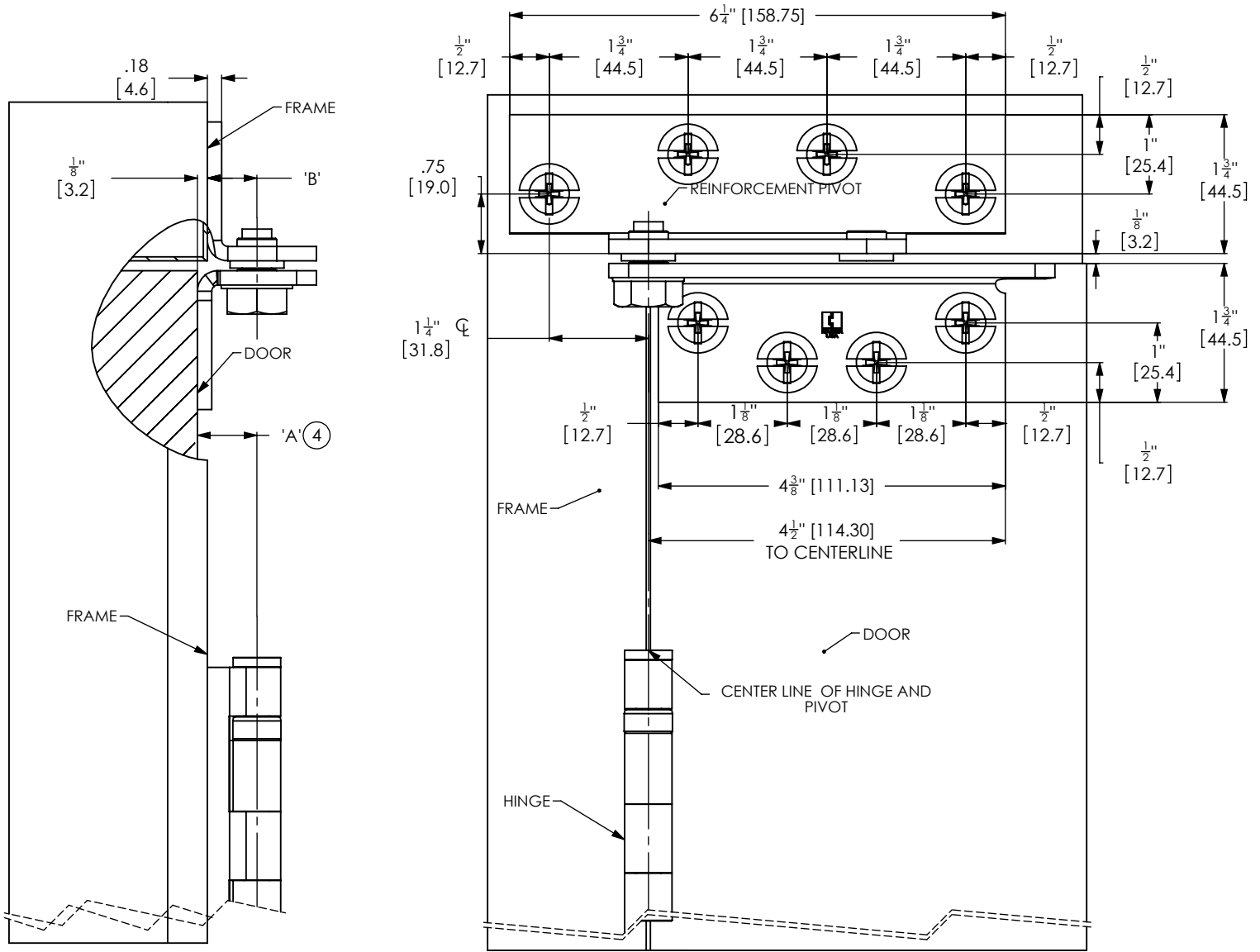


FULL SURFACE REINFORCING PIVOT TEMPLATE HINGES

TEMPLATE NO. T-250
REV. 4



General Table		QTY
FASTENERS		
MACHINE SCREWS - 1/4-20 X 3/4 FLAT HEAD		8
WOOD SCREWS - 14 X 1 1/4 FLAT HEAD		8
1/4-20 SEX BOLT		2

CATALOG NUMBER	DIMENSION 'A'	DIMENSION 'B' (4)	HINGE SIZES		
			3 1/2 x 3 1/2 (88.90 x 88.90)	4 1/2 x 4 (114.3 x 101.60)	5 x 4 (127.00 x 101.60)
251	5/8(15.88)	1/2(12.70)	---	---	---
252	1/2 (12.70)	3/8(9.53)	4 x 4 (101.60 x 101.60)	4 1/2 x 4 (114.3 x 101.60)	5 x 4 (127.00 x 101.60)
253	3/4 (19.05)	5/8(15.88)	4 1/2 x 4 1/2 (114.3 x 114.3)	5 x 4 1/2 (127.0 x 114.3)	---
254	1 (25.40)	7/8(22.22)	5.0 x 5.0 (127.00 x 127.00)	6.0 x 5.0 (152.40 x 127.00)	---

REVISION			
REV	ECO NO	BY	DATE
1	ECO CT08014	KKJ	04/15/09
2	ECO CT10001	KKJ	06/22/10
3	ADDED TABLE	KKJ	12/16/10
4	DRAWING CORRECTION	KKJ	05/23/13

NOTES:
1. DIMENSIONS IN () ARE MILLIMETERS

REFERENCE PART NUMBER: 737-0011

HAGER RESERVES THE RIGHT TO MAKE DESIGN CHANGES WITHOUT NOTICE. CALL HAGER ENGINEERING AT 1-800-325-9995 FOR THE LATEST REVISION DATE OF TEMPLATE.

TEMPLATE NO. **T-250**