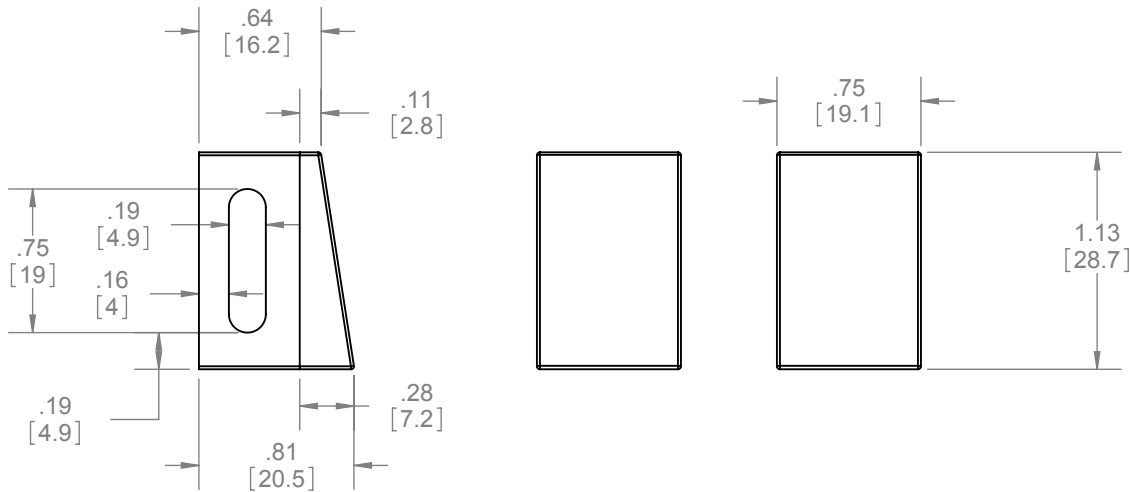
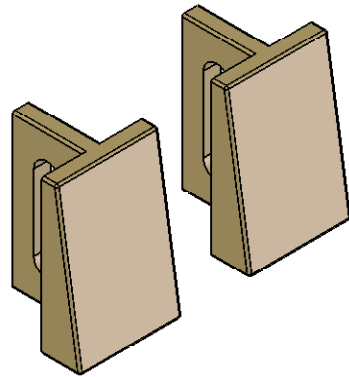
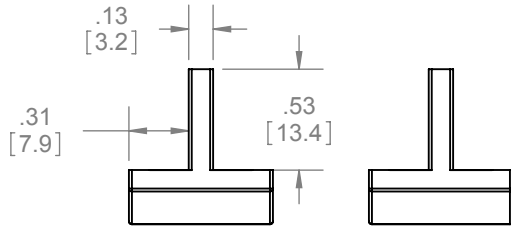



REVISIONS		
REV.	DESCRIPTION	DATE
01	NEW DRAWING FOR WEB	3/24/2008



NOTES:  
 - TWO PIECES PER DOOR REQUIRED  
 - SCREWS TO JAMB TO GUIDE DOOR AND PREVENT RUBBING

HARDWARE INCLUDED:  
 - 2PCS #8 32 x 5/8" CROSS TRUSS HEAD SCREW

 <p><b>PROPRIETARY &amp; CONFIDENTIAL</b>          THE INFORMATION CONTAINED IN THIS DRAWING IS THE SOLE PROPERTY OF HAGER COMPANIES. ANY REPRODUCTION IN PART OR AS A WHOLE WITHOUT THE WRITTEN PERMISSION OF HAGER COMPANIES IS PROHIBITED.</p>	<p>HAGER RESERVES THE RIGHT TO MAKE DESIGN CHANGES WITHOUT NOTICE. CALL HAGER ENGINEERING AT 1-800-325-9995 FOR THE LATEST REVISION DATE OF TEMPLATE.</p>	DRAWN	NJANSEN	2/4/2008	<p>9883  <b>TWO PIECE POCKET DOOR GUIDE</b></p>
		ENG. APPR.	M MCRAE	3/24/2008	
		MATERIAL	PE	Q.A.	
		FINISH	NONE	<p>TOLERANCES:          FRACTIONAL: ±0.015"          ANGULAR: MACH: ± 1° BEND: ±1°          TWO PLACE DECIMAL: ±0.01"          THREE PLACE DECIMAL: ±0.004"</p>	
DO NOT SCALE DRAWING		SIZE	DWG. NO.	REV.	<p><b>A</b> S-SD00059 01</p>
		SCALE: 1:1	WEIGHT: 0.01	SHEET 1 OF 1	