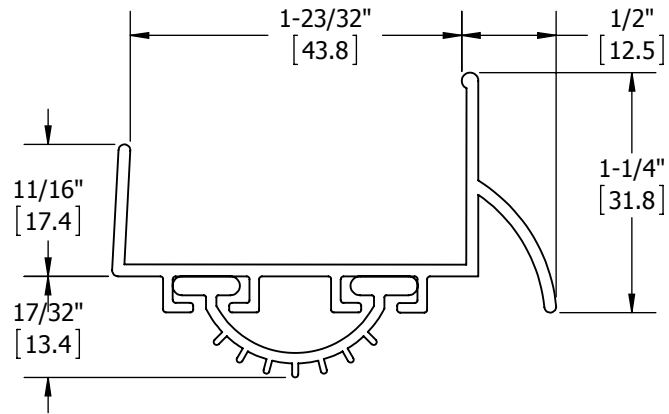



REV.	DESCRIPTION	ECO NO.	DATE
------	-------------	---------	------



#6 x 5/8" PAN HEAD SHEET METAL SCREWS (FACTORY PROVIDED)

 <p>PROPRIETARY & CONFIDENTIAL THE INFORMATION CONTAINED IN THIS DRAWING IS THE SOLE PROPERTY OF HAGER COMPANIES. ANY REPRODUCTION IN PART OR AS A WHOLE WITHOUT THE WRITTEN PERMISSION OF HAGER COMPANIES IS PROHIBITED.</p>	<p>HAGER RESERVES THE RIGHT TO MAKE DESIGN CHANGES WITHOUT NOTICE. CALL HAGER ENGINEERING AT 1-800-325-9995 FOR THE LATEST REVISION DATE OF TEMPLATE.</p>	DRAWN	RCT	4/18/2012	778s DOOR BOTTOM			
		ENG. APPR.	-	-				
		MATERIAL	Material <not specified>			Q.A.		
		FINISH	-			TOLERANCES: FRACTIONAL: ±0.015" ANGULAR: MACH: ± 1° BEND: ±1° TWO PLACE DECIMAL: ±0.01" THREE PLACE DECIMAL: ±0.004"		
DO NOT SCALE DRAWING		SIZE	DWG. NO.		REV.			
		A	S-TW00172					
		SCALE: 1:2	WEIGHT: 0.07		SHEET 1 OF 1			