

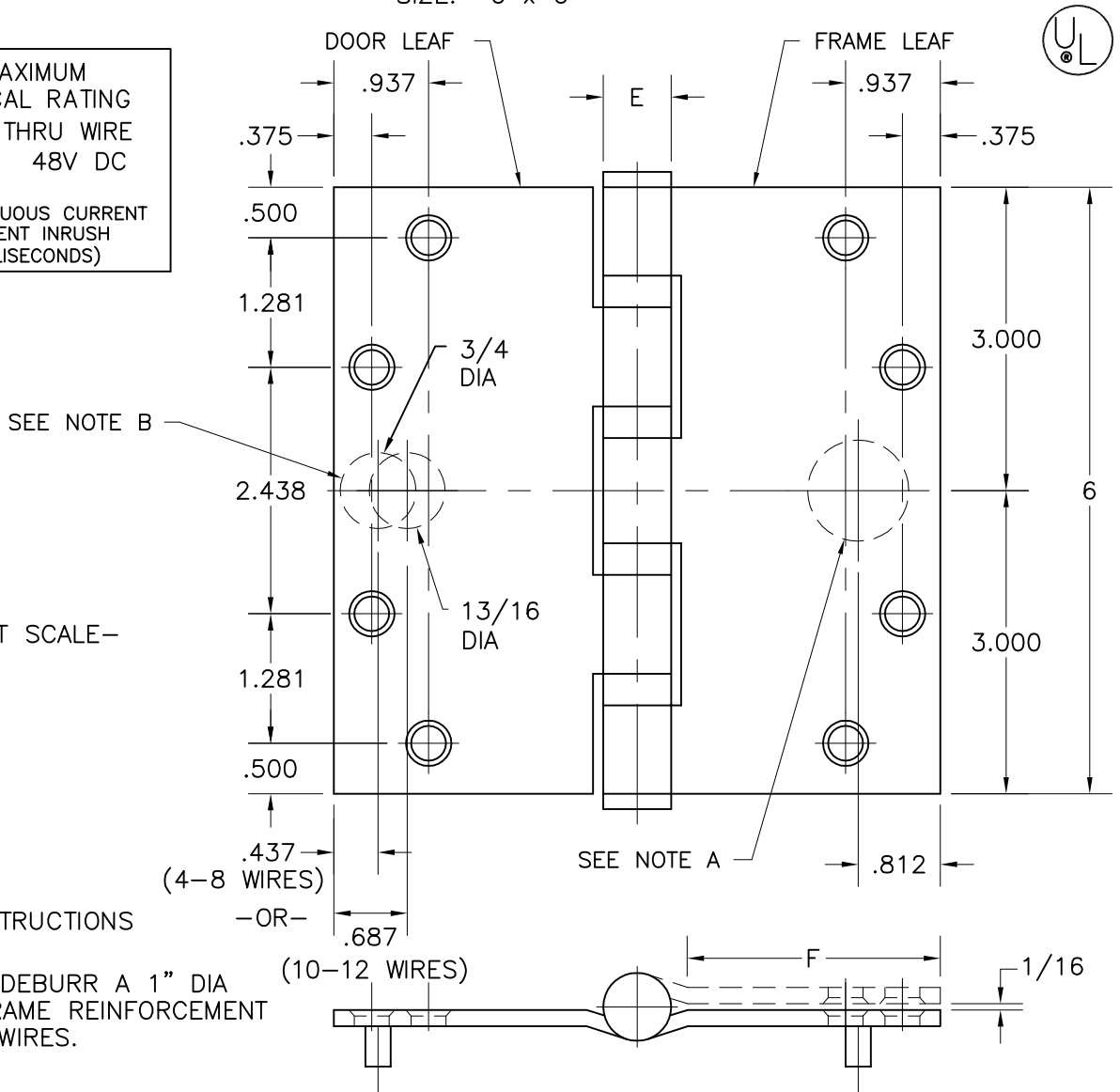
# FULL MORTISE TEMPLATE HINGE ELECTRIC THRU WIRE TYPE ETW

Template No. T632

No.	REVISION	BY	DATE
1	ECO CT06007	RAM	10-11-06
2	ECO CT07016	DW	4.12.07

SIZE: 6 x 6

ETW MAXIMUM ELECTRICAL RATING  
CONTACT THRU WIRE  
VOLTS: 48V DC  
AMPERES:  
3.5A CONTINUOUS CURRENT  
16.0A CURRENT INRUSH  
(300 MILLISECONDS)



-DO NOT SCALE-

**DRILLING INSTRUCTIONS**

**NOTE A:**  
DRILL AND DEBURR A 1" DIA HOLE IN FRAME REINFORCEMENT FOR THRU WIRES.

**NOTE B:**  
DRILL AND DEBURR A 3/4" DIA HOLE FOR 4-8 THRU WIRES -OR- A 13/16" DIA HOLE FOR 10-12 THRU WIRES IN DOOR REINFORCEMENT.

CATALOG NUMBER		METAL GAUGE	(E) KNUCKLE DIAMETER	(F) DISTANCE FROM EDGE OF LEAF TO SWAGE LINE
STEEL HINGES	NON-FERROUS HINGES			6 x 6
BB1168-ETW	BB1199-ETW	.203	3/4	2 35/64

ALL DIMENSIONS ARE IN INCHES.

Machine Screw Size- 1/4-20 x 1/2" F.H.

Wood Screw Size- No. 14 x 1 1/2" F.H.

**NOTE:** This hinge is intended to be used in the center position. Hospital type and round corner template hinges conform to the above screw size and location. They are designated by "HT" and "RC" to catalog number. Hager template hinges are made in size, gauge and with screw holes located to conform to ANSI-A156.7.



HAGER RESERVES THE RIGHT TO MAKE DESIGN CHANGES WITHOUT NOTICE. CALL HAGER ENGINEERING AT 1-800-325-9995 FOR LATEST REVISION DATE OF TEMPLATE.

**HAGER COMPANIES**  
139 VICTOR STREET  
P.O. BOX 12300  
ST. LOUIS, MISSOURI 63157-0300

Template No. T632