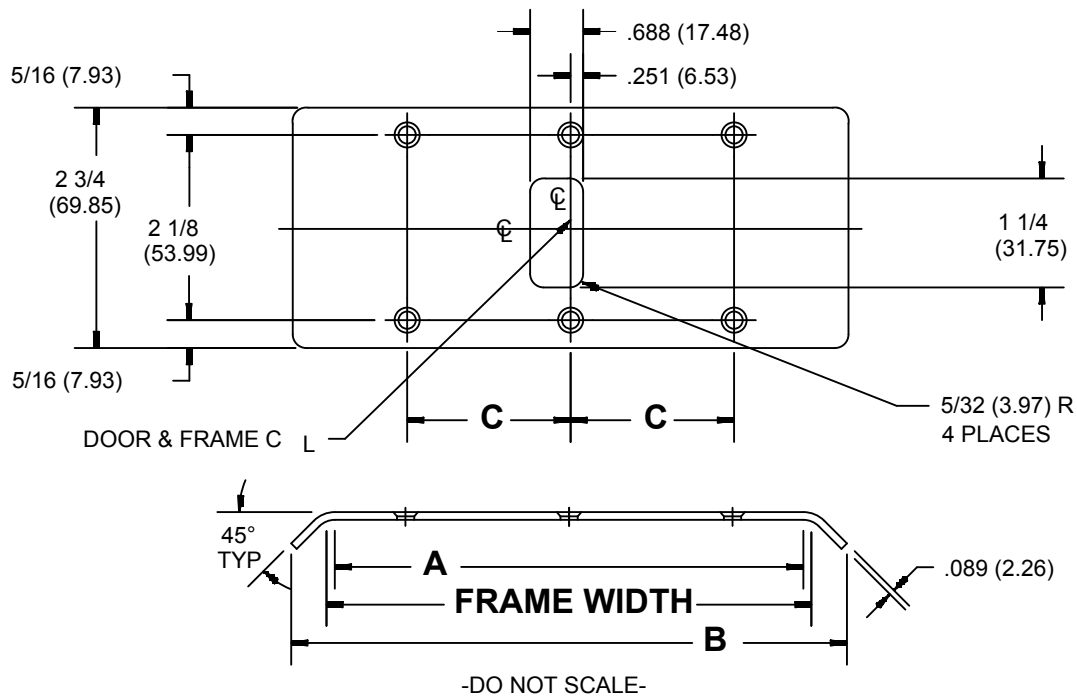


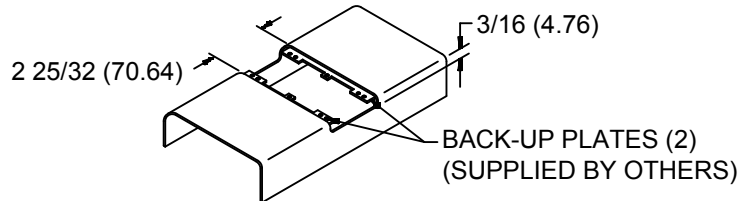
# DOUBLE-LIPPED STRIKES FOR CENTER HUNG DOORS



CATALOG NUMBER	FRAME WIDTH	(A)	(B)	(C)	MATERIAL
452	4-3/4	4-3/8	5-3/8	1 3/8	BRASS
	5-1/4	4-7/8	5-7/8	1-5/8	BRASS
	5-7/8	5-1/2	6-1/2	1-15/16	BRASS
	6-1/8	5-3/4	6-3/4	2-1/16	BRASS
	6-1/4	5-7/8	6-7/8	2-1/8	BRASS
	6-1/2	6-1/8	7-1/8	2-1/4	BRASS
	7-1/8	6-3/4	7-3/4	2-9/16	BRASS
	7-1/2	7-1/8	8-1/8	2-3/4	BRASS
	7-3/4	7-3/8	8-3/8	2-7/8	BRASS
	8	7-5/8	8-5/8	3	BRASS
	8-1/4	7-7/8	8-7/8	3-1/8	BRASS
	8-3/4	8-3/8	9-3/8	3-3/8	BRASS

ALL NON-BRACKETED DIMENSIONS ARE IN INCHES,  
ALL BRACKETED DIMENSIONS ARE IN MILLIMETERS.  
Machine Screw Size- 8-32 x 1/2" undercut F.H.

NOTE: Horizontal centerline of plate to coincide  
with horizontal centerline of cutout.



Customer Approval \_\_\_\_\_ Date \_\_\_\_\_

CUTOUT IN METAL JAMB  
FOR DOUBLE-LIPPED STRIKE

**H**  
HAGER COMPANIES  
139 Victor St.  
St. Louis, MO 63104  
1-800-325-9995

HAGER RESERVES THE RIGHT TO MAKE  
DESIGN CHANGES WITHOUT NOTICE.

DESCRIPTION:  
DOUBLE-LIPPED STRIKES  
FOR CENTER HUNG DOORS

NO.	REVISION	BY	DATE
2	UPDATED DWG	DH	01-12-06

PART NO. T457