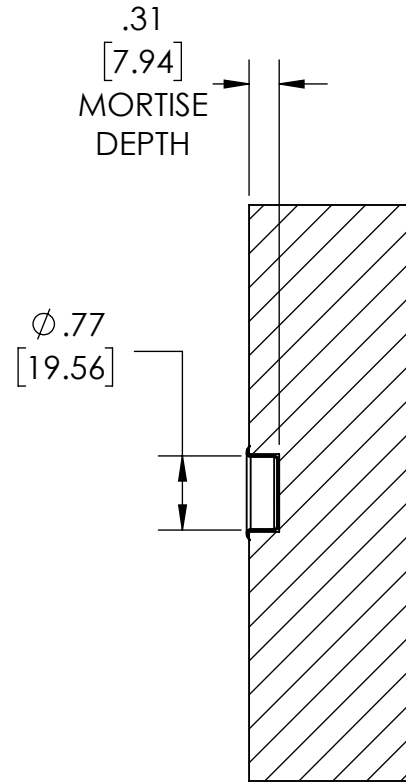
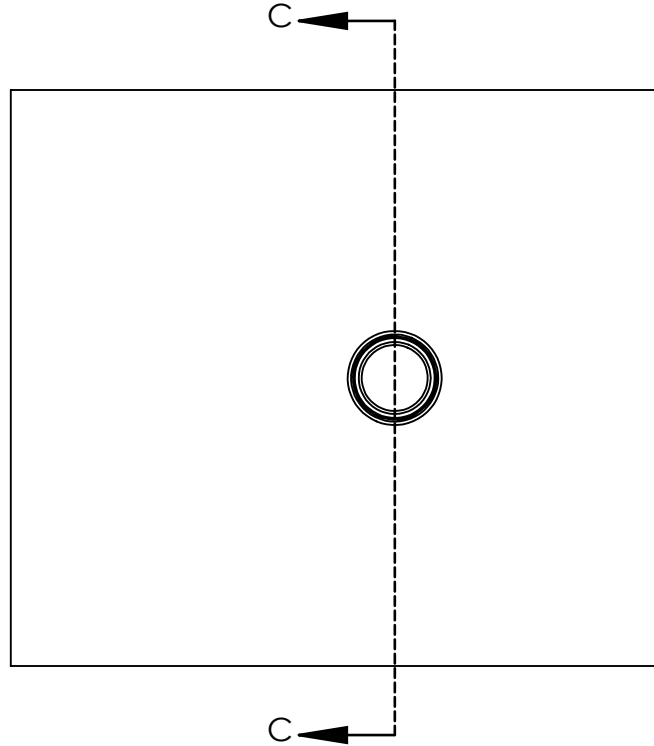
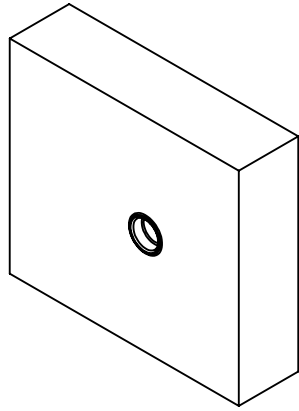



REV.	DESCRIPTION	ECO NO.	DATE
-	CREATED PER CUSTOMER REQUEST	-	10/9/2017



SECTION C-C

 PROPRIETARY & CONFIDENTIAL THE INFORMATION CONTAINED IN THIS DRAWING IS THE SOLE PROPERTY OF HAGER COMPANIES. ANY REPRODUCTION IN PART OR AS A WHOLE WITHOUT THE WRITTEN PERMISSION OF HAGER COMPANIES IS PROHIBITED.	HAGER RESERVES THE RIGHT TO MAKE DESIGN CHANGES WITHOUT NOTICE. CALL HAGER ENGINEERING AT 1-800-325-9995 FOR THE LATEST REVISION DATE OF TEMPLATE.	DRAWN	PK	11/17/2017	2610 FLUSH CUP PULL DOOR PREP TEMPLATE			
		MATERIAL	ENG. APPR.	-				-
		Material <not specified>	Q.A.			SIZE DWG. NO. T-TA01222 REV. - A		
		FINISH	TOLERANCES: FRACTIONAL: ±0.015" ANGULAR: MACH: ± 1° BEND: ±1° TWO PLACE DECIMAL: ±0.01" THREE PLACE DECIMAL: ±0.004"					
DO NOT SCALE DRAWING		SCALE: 1:2	WEIGHT: 2.56	SHEET 1 OF 1				