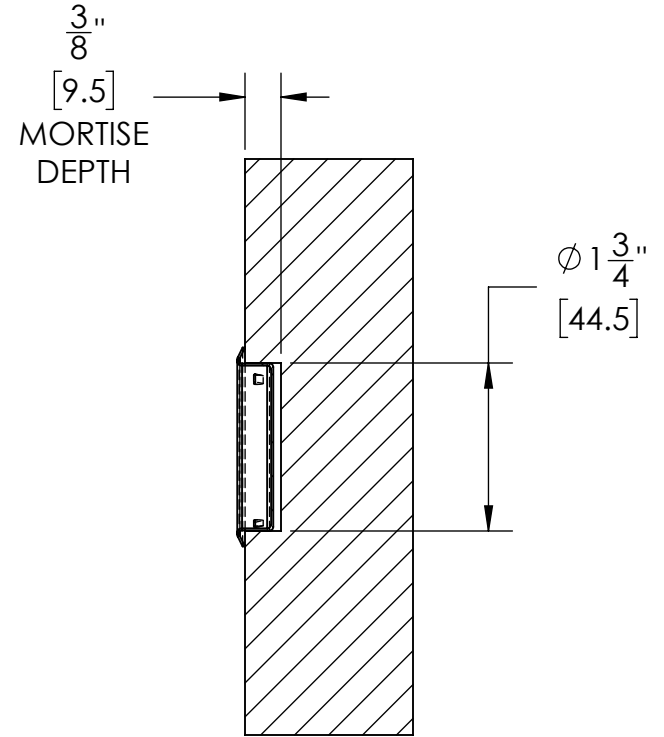
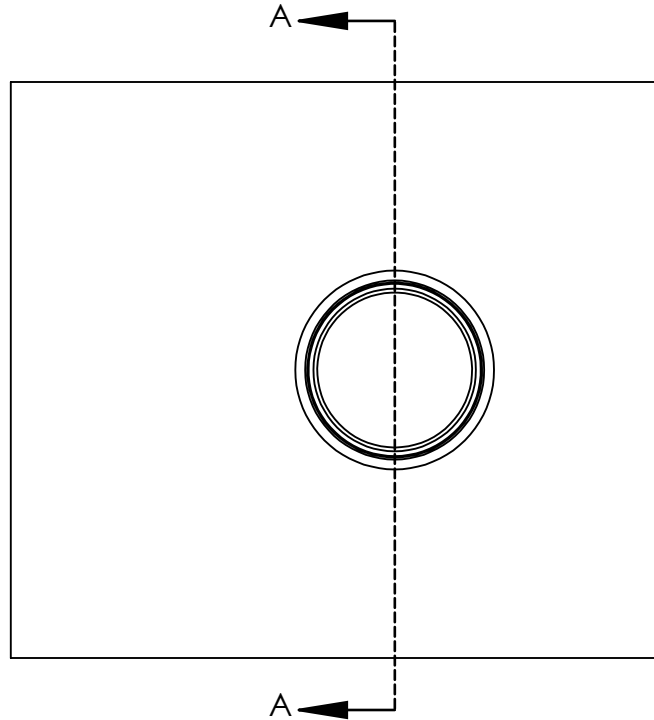
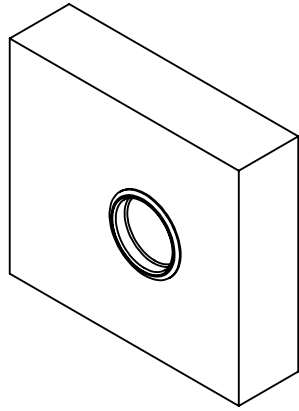



REV.	DESCRIPTION	ECO NO.	DATE
------	-------------	---------	------



SECTION A-A

	PROPRIETARY & CONFIDENTIAL THE INFORMATION CONTAINED IN THIS DRAWING IS THE SOLE PROPERTY OF HAGER COMPANIES. ANY REPRODUCTION IN PART OR AS A WHOLE WITHOUT THE WRITTEN PERMISSION OF HAGER COMPANIES IS PROHIBITED.	HAGER RESERVES THE RIGHT TO MAKE DESIGN CHANGES WITHOUT NOTICE. CALL HAGER ENGINEERING AT 1-800-325-9995 FOR THE LATEST REVISION DATE OF TEMPLATE.	DRAWN	KJW	10/5/2017	2620 FLUSH CUP PULL DOOR PREP TEMPLATE		
			MATERIAL	Material <not specified>			ENG. APPR.	-
			FINISH	-			Q.A.	
			DO NOT SCALE DRAWING				TOLERANCES: FRACTIONAL: ±0.015" ANGULAR: MACH: ± 1° BEND: ± 1° TWO PLACE DECIMAL: ±0.01" THREE PLACE DECIMAL: ±0.004"	
		SIZE	DWG. NO.		REV.			
		A	T-TA01221					
		SCALE:1:2	WEIGHT: 2.57		SHEET 1 OF 1			