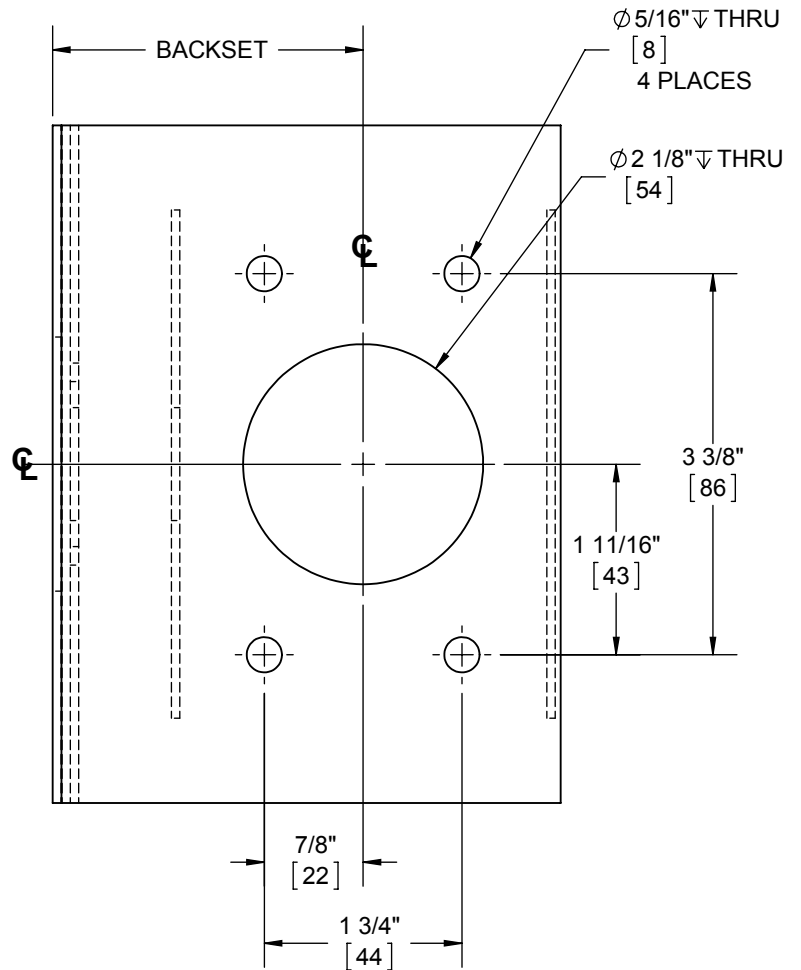
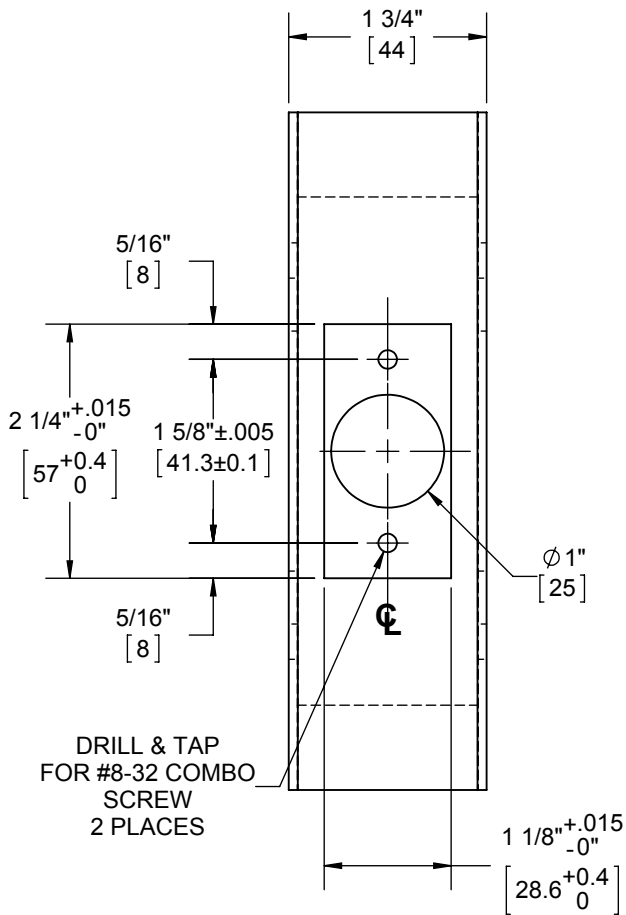
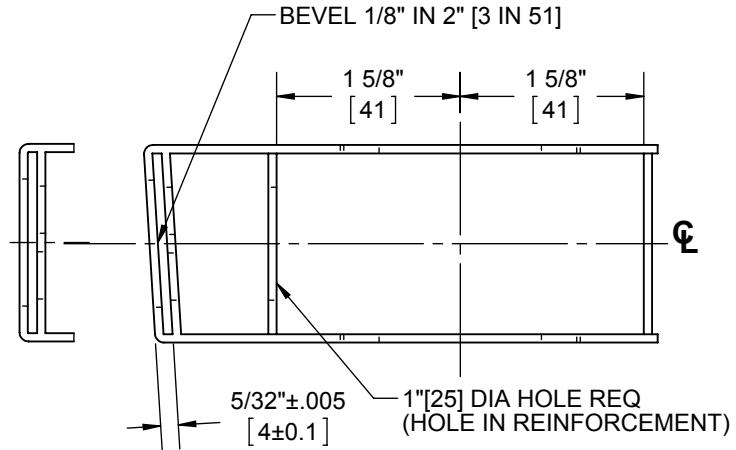
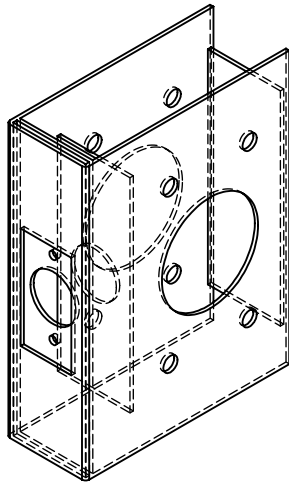


NOTES:

1. REINFORCEMENT, SUPPLIED BY DOOR MANUFACTURER.
2. DIMENSIONS IN [ ] ARE IN MILLIMETERS.



**DOOR TYPE:** METAL, FLAT OR BEVELED  
**DOOR THICKNESS:** 1 3/4"[45]  
**LATCHBOLT FACEPLATE:** SQUARE 1 1/8"[29] WIDTH  
**BACKSET:** 2 3/4"[70] , 5"[127]



**PROPRIETARY & CONFIDENTIAL**  
 THE INFORMATION CONTAINED IN THIS DRAWING IS THE SOLE PROPERTY OF HAGER COMPANIES. ANY REPRODUCTION IN PART OR AS A WHOLE WITHOUT THE WRITTEN PERMISSION OF HAGER COMPANIES IS PROHIBITED.

HAGER RESERVES THE RIGHT TO MAKE DESIGN CHANGES WITHOUT NOTICE. CALL HAGER ENGINEERING AT 1-800-325-9995 FOR THE LATEST REVISION DATE OF TEMPLATE.

MATERIAL	Material <not specified>
FINISH	-
DO NOT SCALE DRAWING	

DRAWN	MRJ	6/11/2012
ENG. APPR.	-	-
TOLERANCES:		
FRACTIONAL: ±0.015"		
ANGULAR: MACH: ± 1° BEND: ±1°		
TWO PLACE DECIMAL: ±0.01"		
THREE PLACE DECIMAL: ±0.004"		

311H METAL DOOR PREP		SIZE	DWG. NO.	REV.
		<b>A</b>	T-TA00976	02
SCALE: 1:2	WEIGHT: 0.20	SHEET 1 OF 1		