

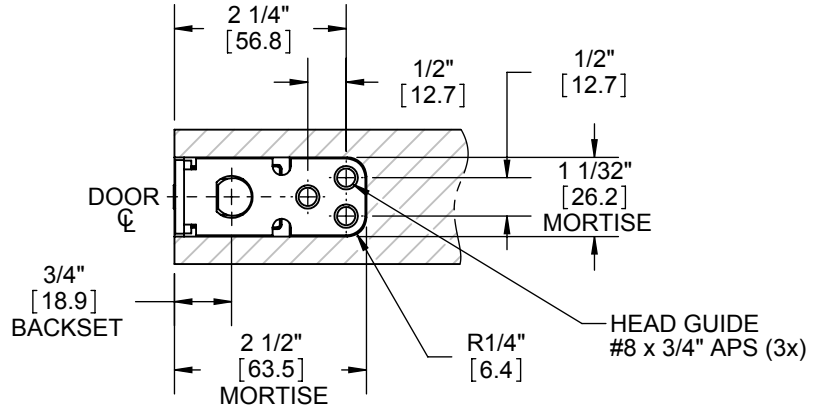
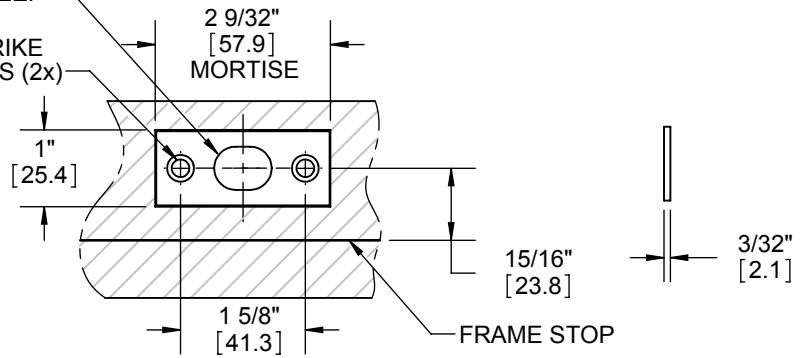
NOTES:

1. 1-1/2 HR FIRE RATING FOR WOOD DOORS UP TO 4 FT. WIDE X 10 FT. TALL.
2. DIMENSIONS SHOWN ON THIS TEMPLATE ARE FOR TOP FLUSH BOLTS. FOR BOTTOM FLUSH BOLTS INVERT & MEASURE FROM BOTTOM EDGE OF DOOR

# 283D MANUAL FLUSHBOLT WOOD DOOR & FRAME PREP TEMPLATE

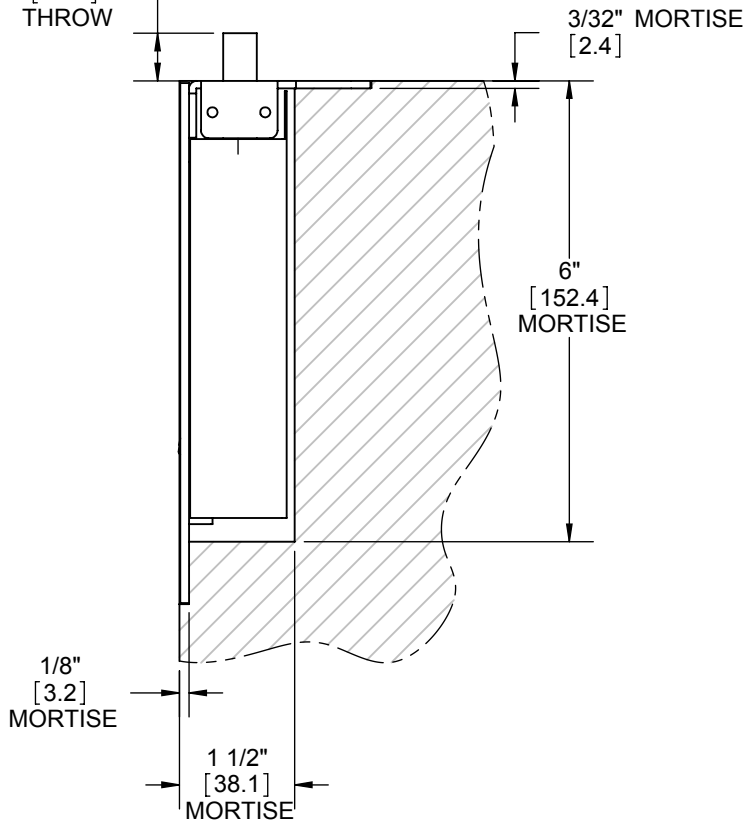
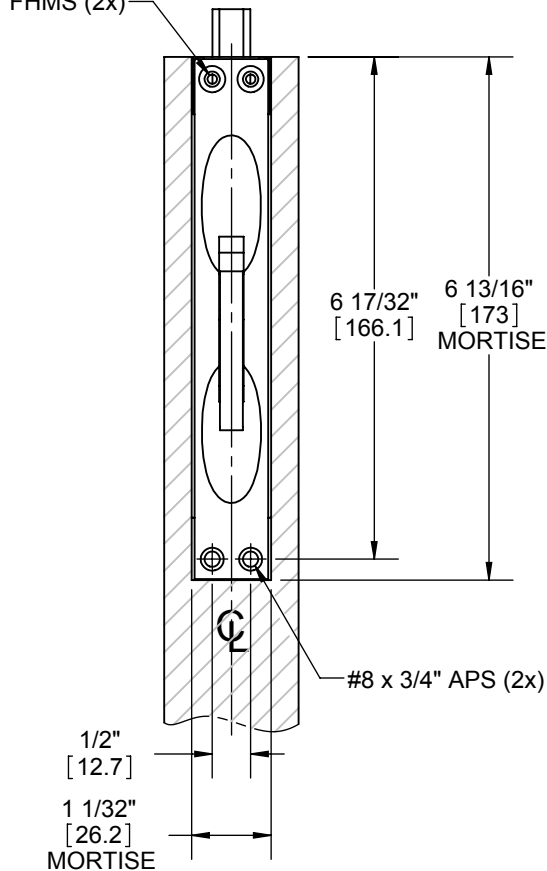
DRILL  $\phi 3/4"$   
HOLE  $3/4"$  DEEP

FRAME STRIKE  
#8 x  $3/4"$  APS (2x)



BOLT HOUSING  
8-32 x  $1/2"$   
FHMS (2x)

$3/4"$   
[19.1]  
THROW



NOTE: HAGER RESERVES THE RIGHT TO MAKE PART CHANGES AND IS NOT RESPONSIBLE FOR OBSOLETE DRAWING ERRORS. TO ENSURE YOUR DRAWING IS CURRENT VISIT [WWW.HAGERCO.COM](http://WWW.HAGERCO.COM).



**NOT TO SCALE**

DIMENSIONS IN [ ] ARE IN MILLIMETERS

TEMPLATE NO: T283D	DRAWING NO: T-TA00180	REV: 02	SHEET 1 OF 1
<b>HAGER COMPANIES</b> 139 Victor Street, St. Louis, MO 63104 - (800) 325-9995 - Fax (800) 782-0149			