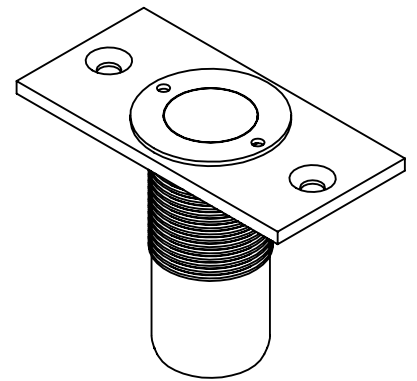
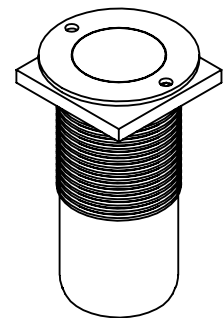


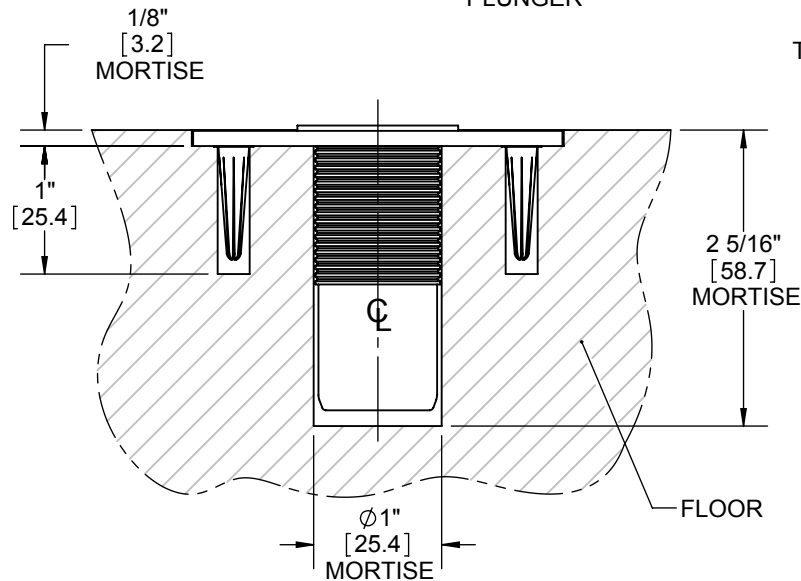
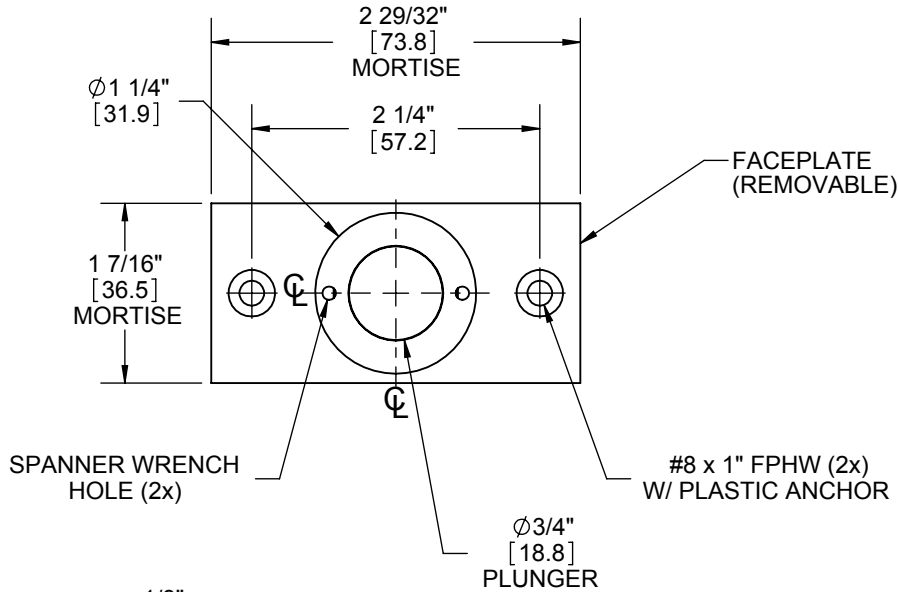
280X DUST PROOF STRIKE FLOOR & THRESHOLD PREP TEMPLATE



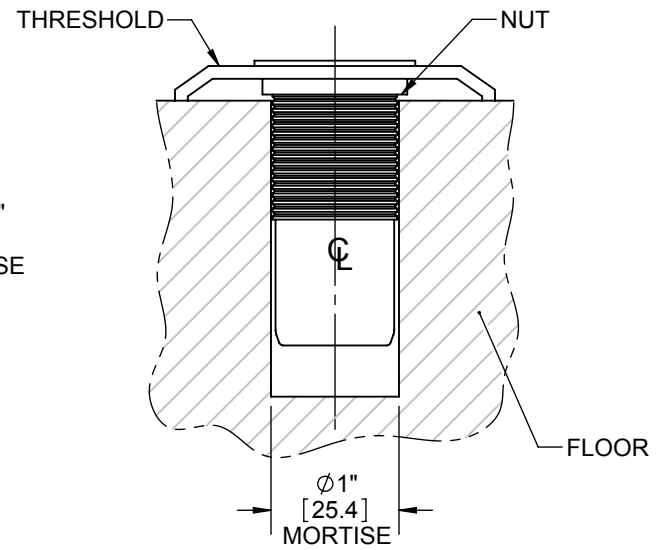
FLOOR MORTISE
STYLE



THRESHOLD
STYLE



STANDARD MORTISED
FLOOR MOUNTING



OPTIONAL THRESHOLD MOUNTING
(FACE PLATE REMOVED)

FLOOR MOUNTING:

1. DRILL 1"[25.4] HOLE 2-5/16"[58.7] DEEP IN FLOOR. (USE INSTALLED FLUSHBOLT TO MARK LOCATION FOR THE 1"[25.4] HOLE IN THE FLOOR)
2. PLACE STRIKE OVER DRILLED HOLE AND MARK OUTLINE OF FACEPLATE ON THE FLOOR.
3. MORTISE FLOOR 1/8"[6.3] DEEP FOR FACEPLATE. MARK AND DRILL HOLES FOR PLASTIC ANCHORS, INSERT PLUGS INTO THE HOLES.
4. THREAD FACEPLATE ONTO THE BODY OF THE DUST PROOF STRIKE.
5. INSTALL COMPLETE STRIKE INTO THE 1"[25.4] HOLE AND SECURE FACEPLATE USING (2) #8 SCREWS.

THRESHOLD MOUNTING:

1. USE INSTALLED FLUSHBOLT TO MARK LOCATION FOR THE 1"[25.4] HOLE IN THE FLOOR.
2. TEMPORARILY LAY THRESHOLD IN PLACE ON THE FLOOR AND MARK THE LOCATION FOR THE 1"[25.4] HOLE USING INSTALLED FLUSHBOLT.
3. DRILL 1"[25.4] HOLE 2-5/16"[58.7] DEEP IN FLOOR.
4. DRILL 1"[25.4] HOLE THRU THE THRESHOLD.
5. SLIDE DUST PROOF STRIKE THROUGH THE DRILLED HOLE IN THE THRESHOLD AND TIGHTEN USING THE SUPPLIED NUT. (TIGHTEN TO A SNUG FIT)
6. INSTALL THRESHOLD.

NOTES: HAGER RESERVES THE RIGHT TO MAKE PART CHANGES AND IS NOT RESPONSIBLE FOR OBSOLETE DRAWING ERRORS. TO ENSURE YOUR DRAWING IS CURRENT VISIT WWW.HAGERCO.COM



NOT TO SCALE

DIMENSIONS IN [] ARE IN MILLIMETERS

TEMPLATE NO: T280X

DRAWING NO: T-TA00179

REV: 03

SHEET 1 OF 1

HAGER COMPANIES 139 Victor Street, St. Louis, MO 63104 - (800) 325-9995 - Fax (800) 782-0149