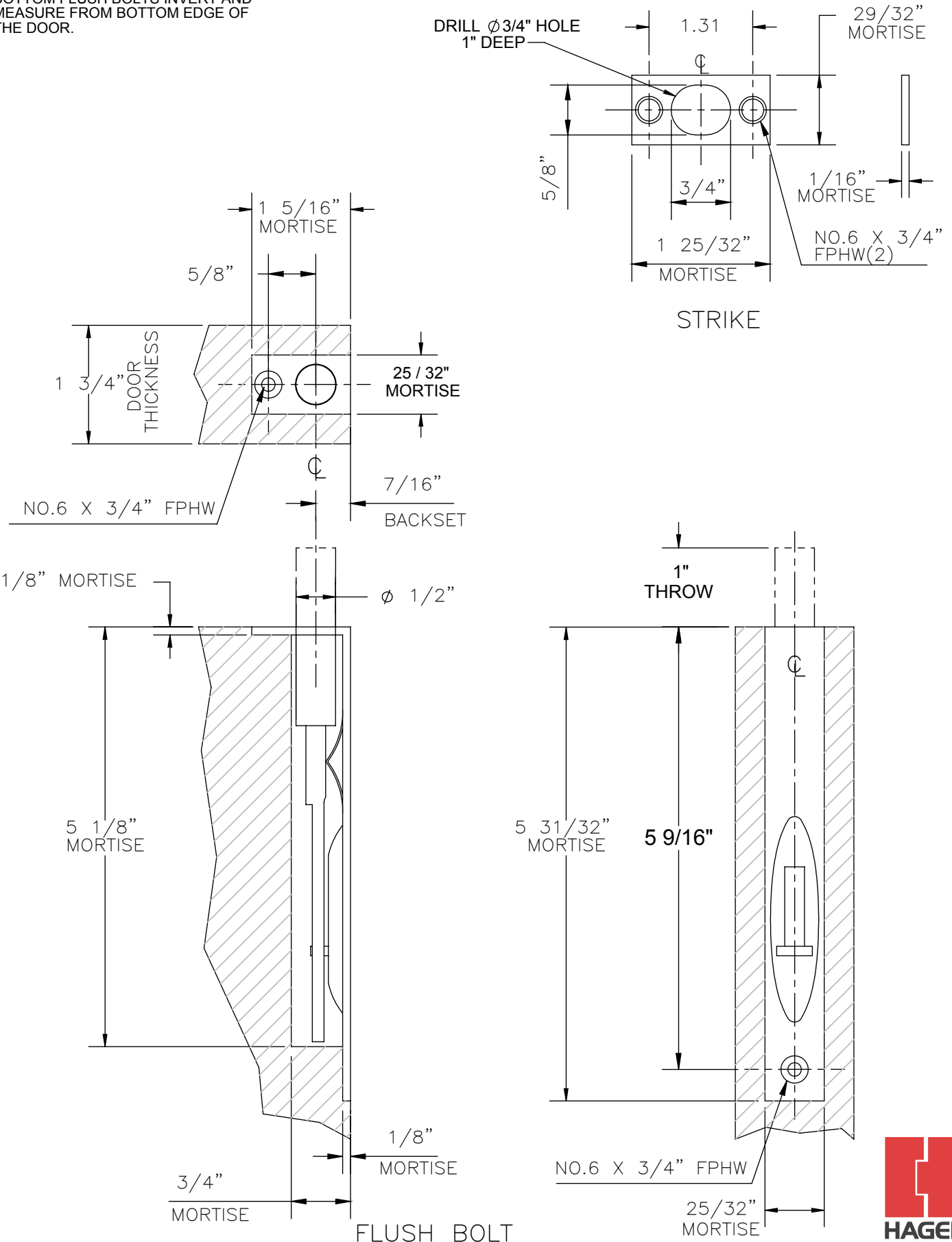


NOTES:

1. DIMENSIONS SHOWN ON TEMPLATE ARE FOR TOP FLUSH BOLTS. FOR BOTTOM FLUSH BOLTS INVERT AND MEASURE FROM BOTTOM EDGE OF THE DOOR.

281D SLIDE FLUSH BOLT WOOD DOOR & FRAME PREP TEMPLATE



NOT TO SCALE

