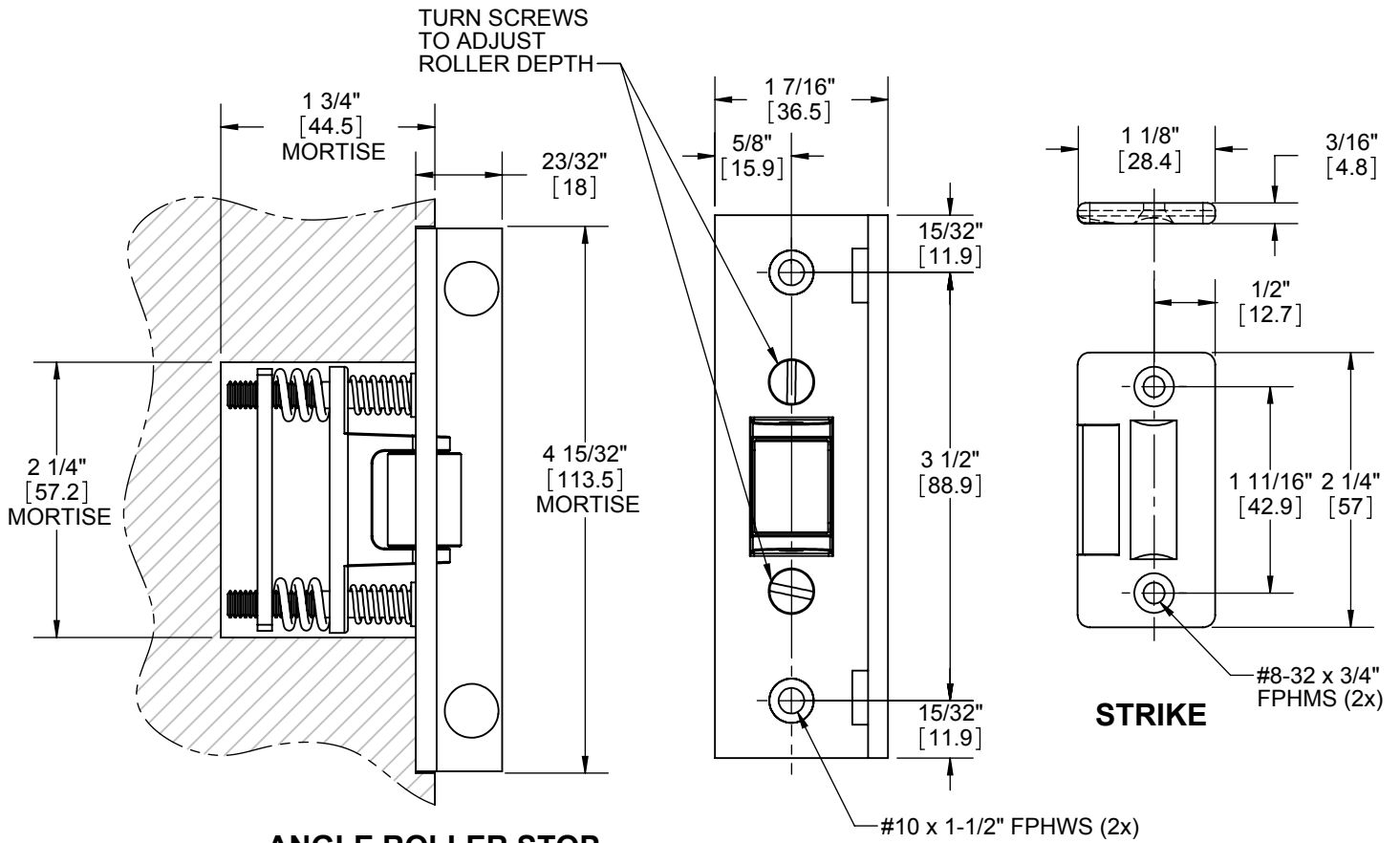
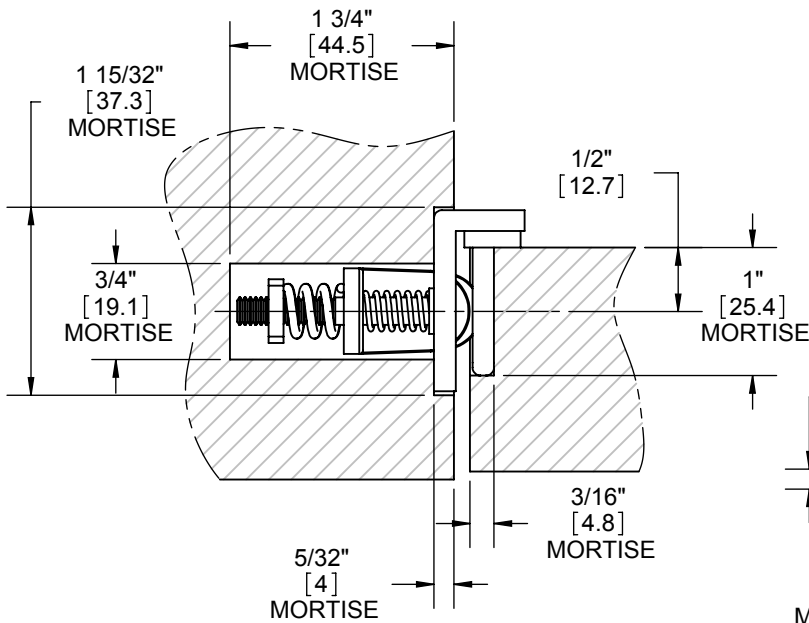


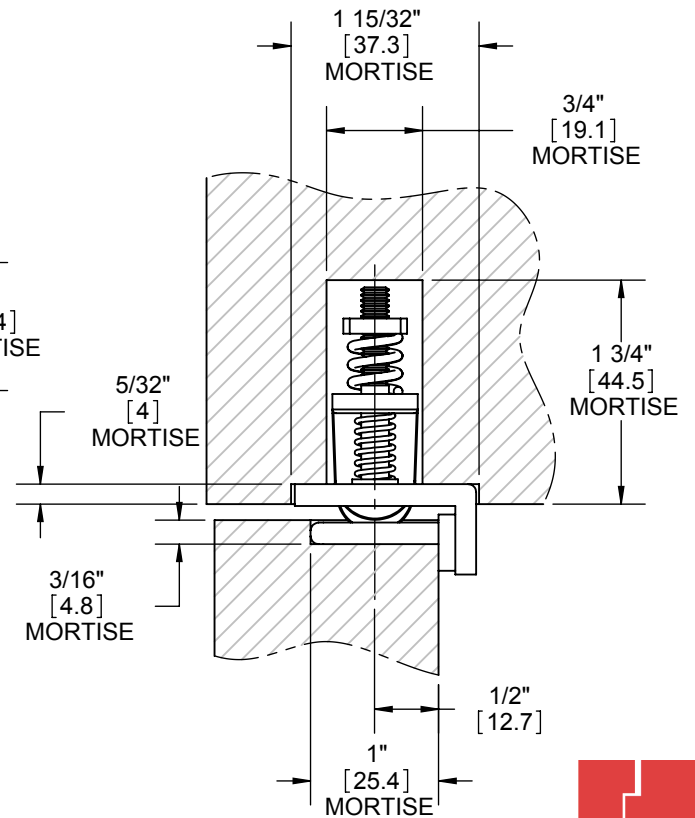
# 318S ROLLER LATCH WITH STOP DOOR & FRAME PREP TEMPLATE



**ANGLE ROLLER STOP**



**SIDE JAMB MOUNTING**



**HEAD FRAME MOUNTING**

NOTE: HAGER RESERVES THE RIGHT TO MAKE PART CHANGES AND IS NOT RESPONSIBLE FOR OBSOLETE DRAWING ERRORS. TO ENSURE YOUR DRAWING IS CURRENT VISIT [WWW.HAGERCO.COM](http://WWW.HAGERCO.COM).



**NOT TO SCALE**

DIMENSIONS IN [ ] ARE IN MILLIMETERS

TEMPLATE NO: T318S	DRAWING NO: T-TA00128	REV: 02	SHEET 1 OF 1
<b>HAGER COMPANIES</b> 139 Victor Street, St. Louis, MO 63104 - (800) 325-9995 - Fax (800) 782-0149			