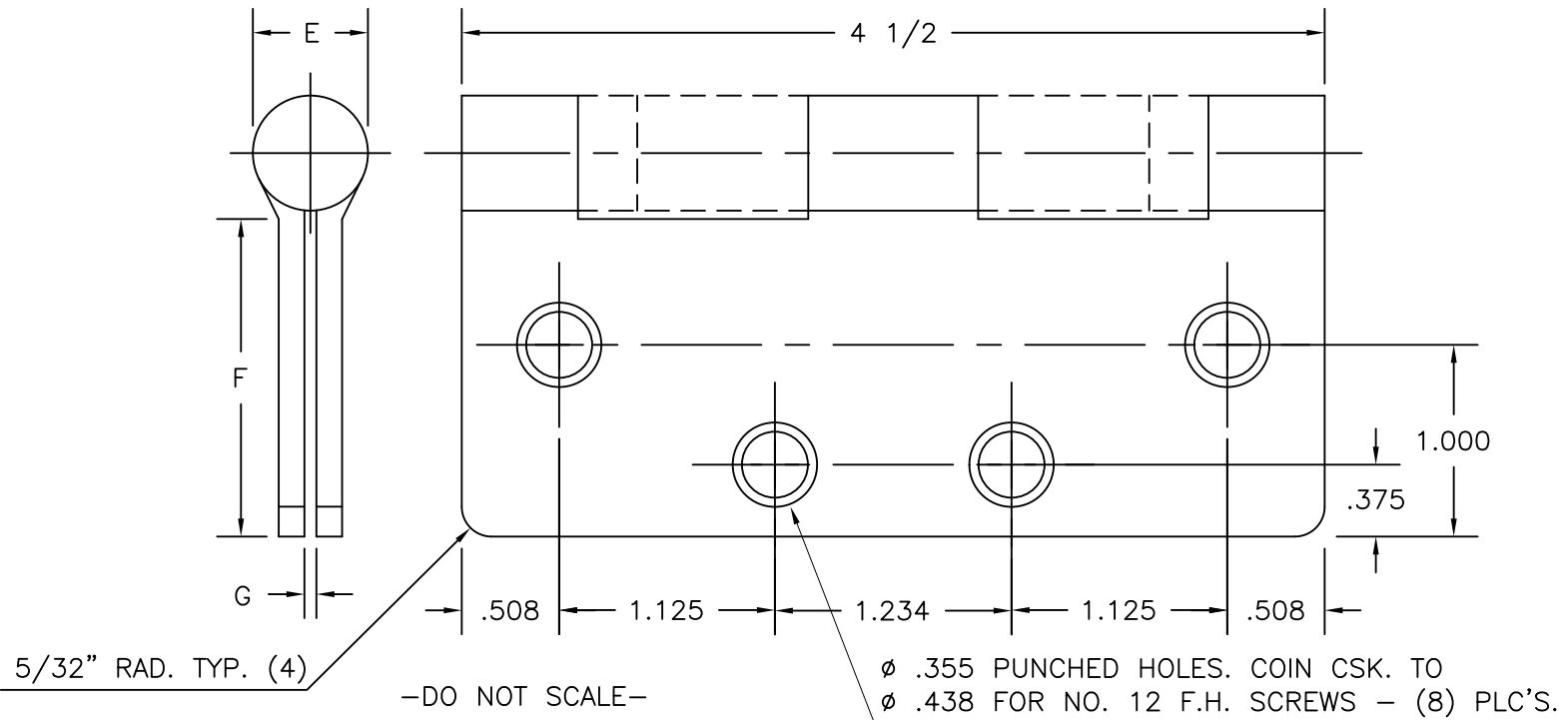


STORE FRONT
TEMPLATE HINGES

Template No. T-SF
Rev. '17

SIZE: 4 1/2 x 4



CATALOG NUMBER		METAL GAUGE	(E) KNUCKLE DIAMETER	(F) DISTANCE FROM EDGE OF LEAF TO SWAGE LINE					(G) SWAGE
STEEL HINGES	NON-FERROUS HINGES			4 1/2 x 4					
	A-793	.134	39/64	1 5/8					.000
	A-794	.134	39/64	1 5/8					.000
	A-796	.134	39/64	1 5/8					.054
	A-797	.134	39/64	1 5/8					.054

ALL DIMENSIONS ARE IN INCHES.

BULK PACK IN ENVELOPES W/OUT SCREWS / AMS&AWS ELECTRICS ONLY

Machine Screw Size- 12-24 x 1/2" F.H.

Wood Screw Size- No. 12 x 1 1/4" F.H.



Hager template hinges are made in size, gauge and with screw holes located to conform to ANSI-A156.7.

HAGER RESERVES THE RIGHT TO MAKE DESIGN CHANGES WITHOUT NOTICE. CALL HAGER ENGINEERING AT 1-800-325-9995 FOR LATEST REVISION DATE OF TEMPLATE.

HAGER COMPANIES
139 VICTOR STREET
P.O. BOX 12300
ST. LOUIS, MISSOURI 63157-0300

Template No. T-SF