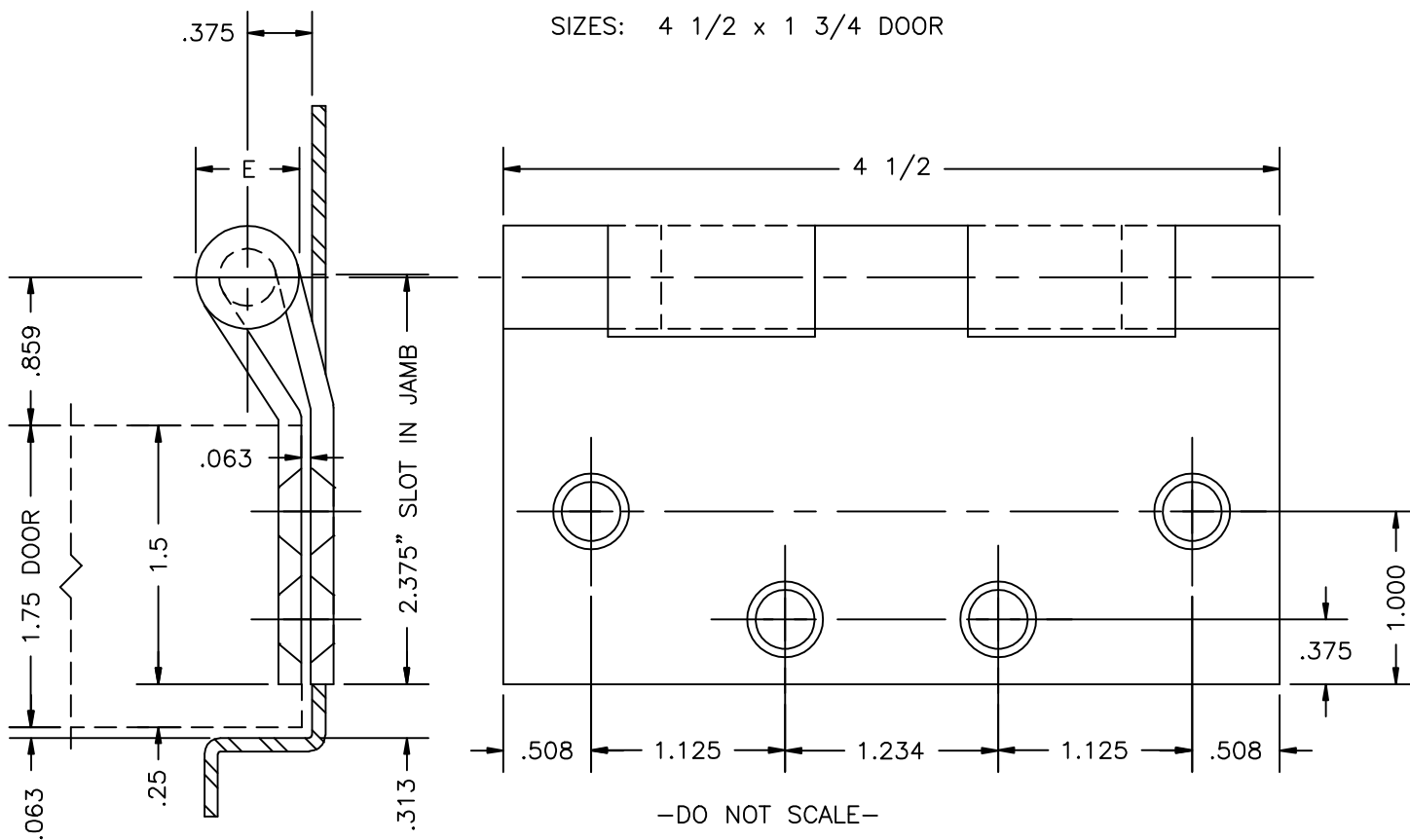


TEMPLATE FOR RAISED  
BARREL SQUARE HINGES

Template No. T-RBS  
Rev. FOR COMPUTER

SIZES: 4 1/2 x 1 3/4 DOOR



-DO NOT SCALE-

CATALOG NUMBER		METAL GAUGE	(E) KNUCKLE DIAMETER
STEEL HINGES	NON-FERROUS HINGES		
700	800	.134	39/64
1279	1191	.134	39/64
AB700	AB800	.134	39/64
BB1279	BB1191	.134	39/64
AB750	AB850	.180	45/64
BB1168	BB1199	.180	45/64

ALL DIMENSIONS ARE IN INCHES.

Machine Screw Size- 12-24 x 1/2" F.H.  
Wood Screw Size- No. 12 x 1 1/4" F.H.

Hospital type and round corner template hinges conform to the above screw size and location. They are designated by "HT" and "RC" to catalog number.

Hager template hinges are made in size, gauge and with screw holes located to conform to ANSI-A156.7.



HAGER RESERVES THE RIGHT TO MAKE  
DESIGN CHANGES WITHOUT NOTICE. CALL  
HAGER ENGINEERING AT 1-800-325-9995  
FOR LATEST REVISION DATE OF TEMPLATE.

HAGER COMPANIES  
139 VICTOR STREET  
P.O. BOX 12300  
ST. LOUIS, MISSOURI 63157-0300

Template No. T-RBS