

**3800 Series Small Case Deadlock
Template - Right-Handed Door
T-LS01642**

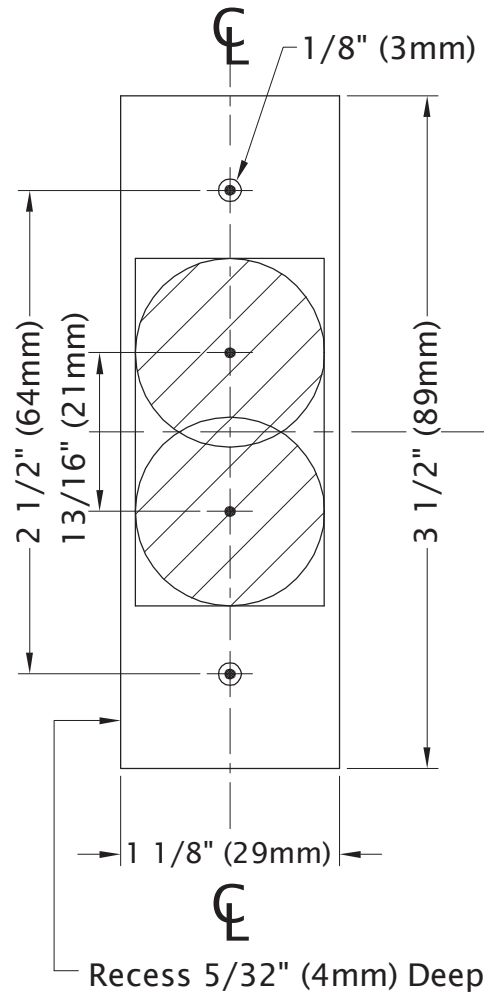
Right-Handed Door

Outside of Door

Inside of Door

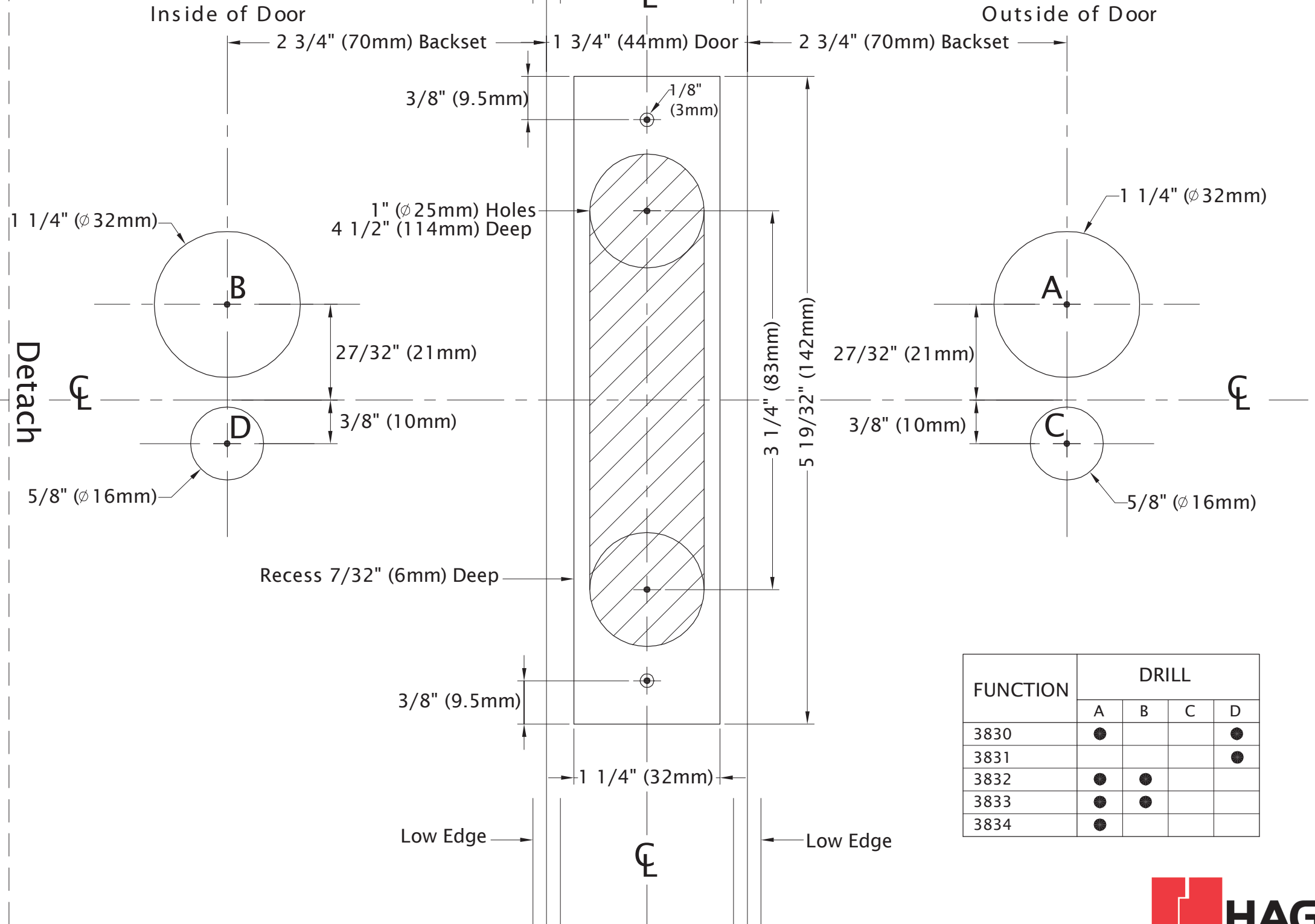
STRIKE TEMPLATE

1" (25mm) Holes
1 1/8" (29mm) Deep



Detach

Low Edge → Flat (No Bevel) → High Edge → Low Edge



FUNCTION	DRILL			
	A	B	C	D
3830	●			●
3831				●
3832	●	●		
3833	●	●		
3834	●			