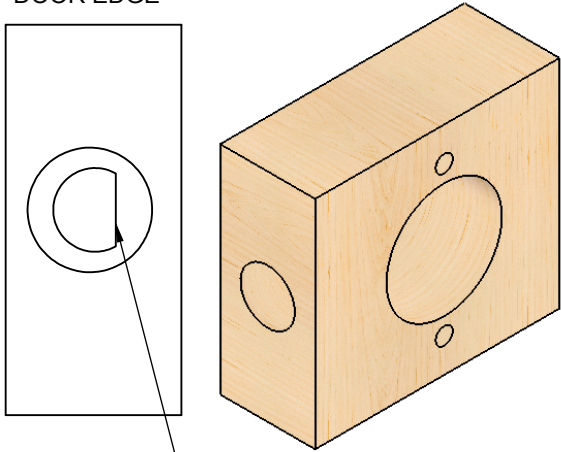
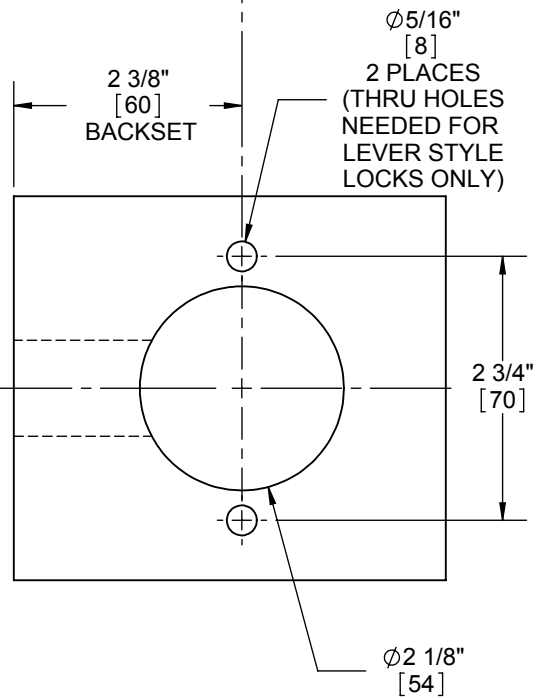
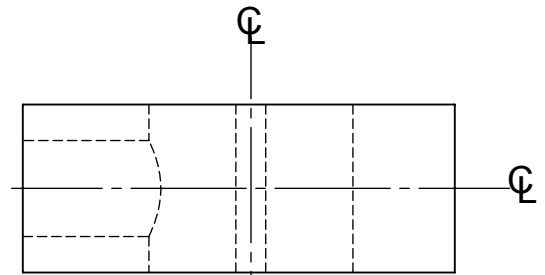
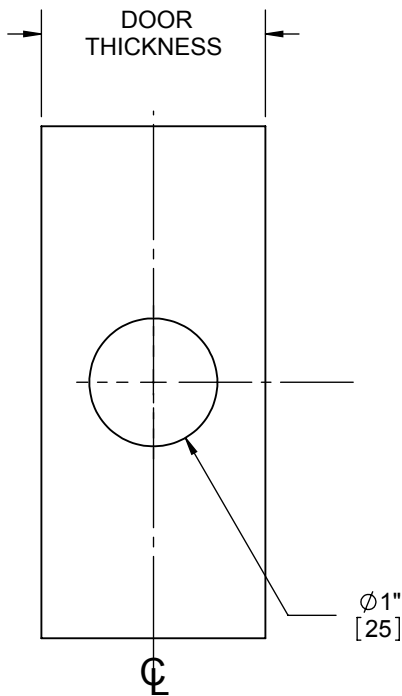


2500 SERIES LOCKSET DRIVE-IN LATCHBOLT TEMPLATE (2-3/8" BACKSET)

DOOR EDGE



MAKE SURE TO PROPERLY ORIENT LATCH FOR DESIRED CLOSING BEFORE PRESSING INTO DRILLED HOLE.



NOTE: INSERT LATCH INTO $\phi 1''$ [25] HOLE USING FINGER PRESSURE. THEN WHILE HOLDING A PIECE OF WOOD OVER THE LATCH FACE, STRIKE WITH A MALLET UNTIL LATCH IS SITTING FLUSH WITH DOOR EDGE.

DOOR TYPE: WOOD OR COMPOSITE, FLAT
DOOR THICKNESS: 1 3/8"[35] - 2"[51]
FACEPLATE: CIRCULAR DRIVE-IN
BACKSET: 2 3/8"

DIMENSIONS IN [] ARE IN MILLIMETERS

