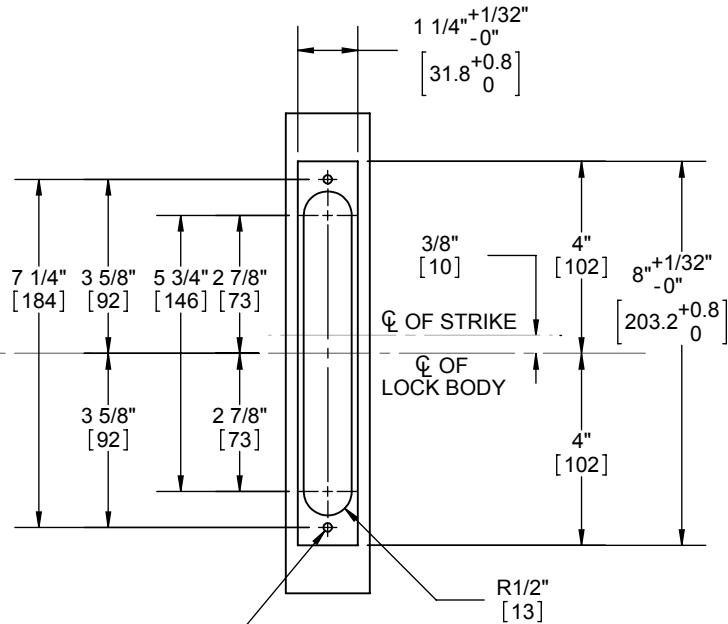
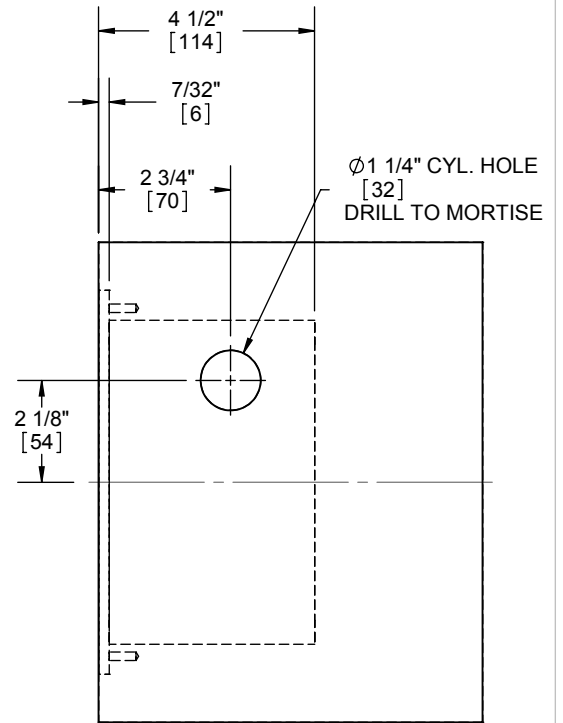


INSIDE




$\phi 3/16''$ [4] $\nabla 9/16''$ [14]
 #12-24 TAP
 WOOD: PRE-DRILL $\phi 1/8''$ HOLES
 (2 PLACES)



OUTSIDE

(RH, RHR SHOWN)

 PROPRIETARY & CONFIDENTIAL THE INFORMATION CONTAINED IN THIS DRAWING IS THE SOLE PROPERTY OF HAGER COMPANIES. ANY REPRODUCTION IN PART OR AS A WHOLE WITHOUT THE WRITTEN PERMISSION OF HAGER COMPANIES IS PROHIBITED.	HAGER RESERVES THE RIGHT TO MAKE DESIGN CHANGES WITHOUT NOTICE. CALL HAGER ENGINEERING AT 1-800-325-9995 FOR THE LATEST REVISION DATE OF TEMPLATE.	DRAWN	TJS	9/21/07	3800 3800 DOOR PREP, FUNCTION: 64	
		ENG. APPR.	-	-		
		MATERIAL	Material <not specified>			TOLERANCES: FRACTIONAL: $\pm 0.015''$ ANGULAR: MACH: $\pm 1^\circ$ BEND: $\pm 1^\circ$ TWO PLACE DECIMAL: $\pm 0.01''$ THREE PLACE DECIMAL: $\pm 0.004''$
		FINISH	DO NOT SCALE DRAWING			
SIZE	DWG. NO.	REV.	SCALE: 1:4 WEIGHT: 3.95 SHEET 14 OF 14			
A	T-LS00771	04				