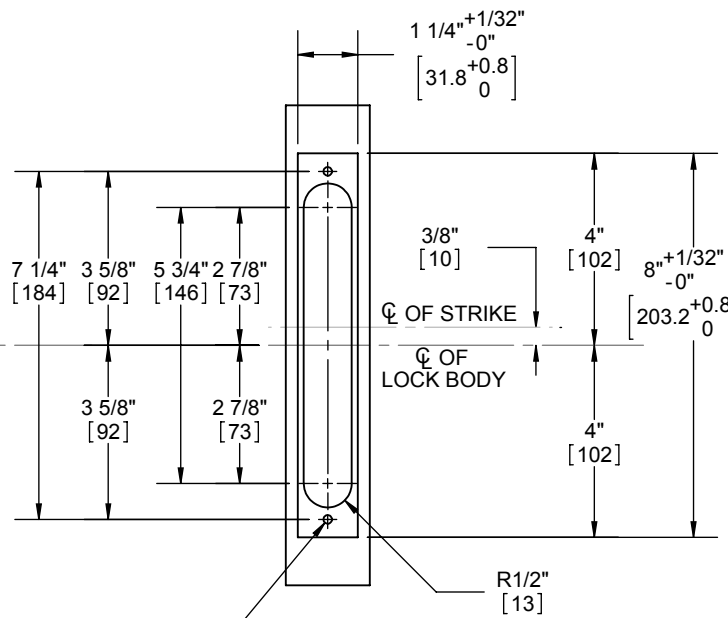
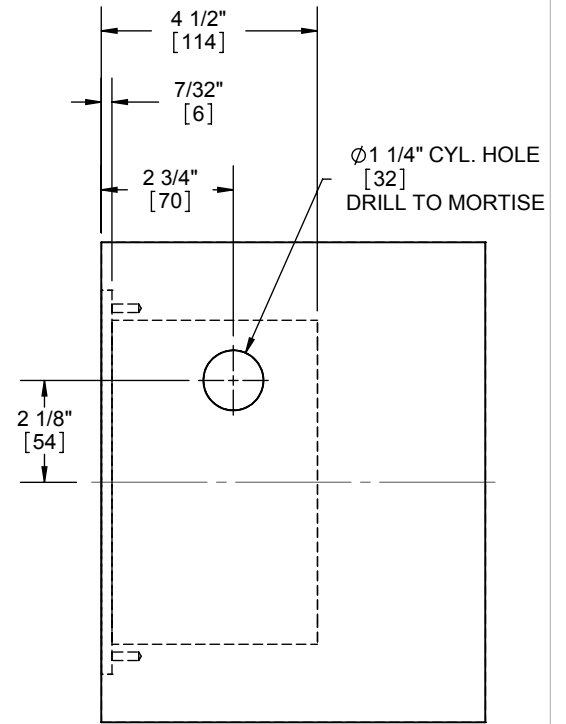


INSIDE




$\phi 3/16"$ [4] $\nabla 9/16"$ [14]
 #12-24 TAP
 WOOD: PRE-DRILL $\phi 1/8"$ HOLES
 (2 PLACES)



OUTSIDE

(RH, RHR SHOWN)

 PROPRIETARY & CONFIDENTIAL THE INFORMATION CONTAINED IN THIS DRAWING IS THE SOLE PROPERTY OF HAGER COMPANIES. ANY REPRODUCTION IN PART OR AS A WHOLE WITHOUT THE WRITTEN PERMISSION OF HAGER COMPANIES IS PROHIBITED.	HAGER RESERVES THE RIGHT TO MAKE DESIGN CHANGES WITHOUT NOTICE. CALL HAGER ENGINEERING AT 1-800-325-9995 FOR THE LATEST REVISION DATE OF TEMPLATE.	DRAWN	TJS	9/21/07	3800 3800 DOOR PREP, FUNCTIONS: 62, 63
		MATERIAL	Material <not specified>		
		FINISH	DO NOT SCALE DRAWING		
		TOLERANCES:			
FRACTIONAL: $\pm 0.015"$ ANGULAR: MACH: $\pm 1^\circ$ BEND: $\pm 1^\circ$ TWO PLACE DECIMAL: $\pm 0.01"$ THREE PLACE DECIMAL: $\pm 0.004"$		SIZE A DWG. NO. T-LS00771	REV. 04		
SCALE: 1:4		WEIGHT: 3.93		SHEET 13 OF 14	