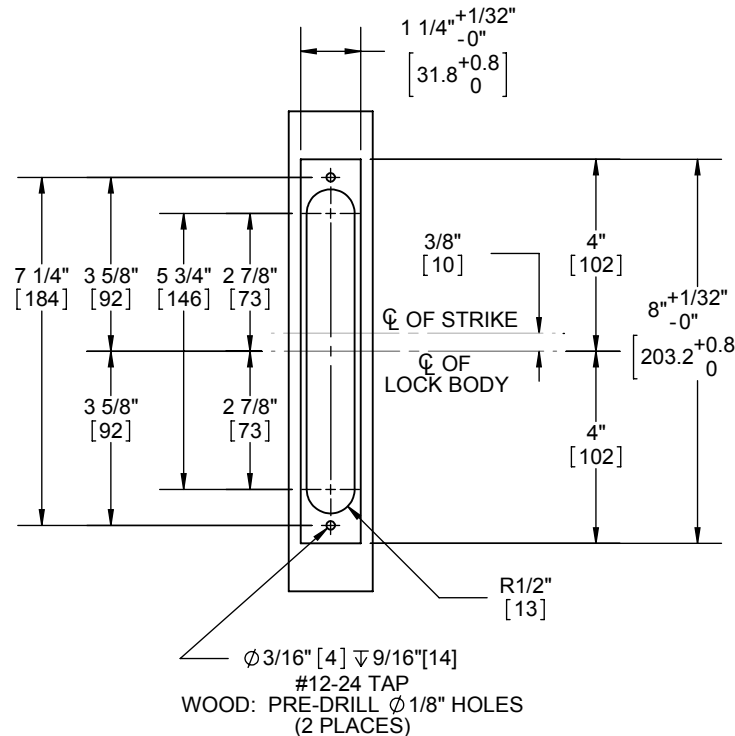
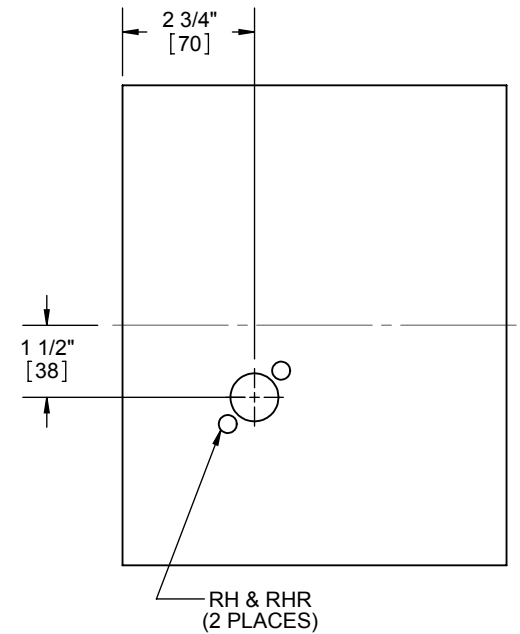


INSIDE



Ø3/16" [4] x 9/16" [14]
#12-24 TAP
WOOD: PRE-DRILL Ø1/8" HOLES
(2 PLACES)




OUTSIDE

NOTES:

- Although function 77 (Double Dummy with Lock Case) has dummy levers, the Ø1" thru hole is still required to accommodate the shape of the spring cages.

(RH, RHR SECTIONAL SHOWN)

 <p>PROPRIETARY & CONFIDENTIAL THE INFORMATION CONTAINED IN THIS DRAWING IS THE SOLE PROPERTY OF HAGER COMPANIES. ANY REPRODUCTION IN PART OR AS A WHOLE WITHOUT THE WRITTEN PERMISSION OF HAGER COMPANIES IS PROHIBITED.</p>	<p>HAGER RESERVES THE RIGHT TO MAKE DESIGN CHANGES WITHOUT NOTICE. CALL HAGER ENGINEERING AT 1-800-325-9995 FOR THE LATEST REVISION DATE OF TEMPLATE.</p>	<p>DRAWN TJS 9/21/07</p>	<p>3800 3800 SECTIONAL DOOR PREP, FUNCTIONS: 10, 77</p>			
		<p>ENG. APPR. - -</p>				
		<p>MATERIAL -</p>	<p>Q.A. - -</p>	<p>TOLERANCES: FRACTIONAL: ±0.015" ANGULAR: MACH: ±1° BEND: ±1° TWO PLACE DECIMAL: ±0.01" THREE PLACE DECIMAL: ±0.004"</p>	<p>SIZE DWG. NO.</p>	<p>REV.</p>
		<p>FINISH -</p>	<p>DO NOT SCALE DRAWING</p>		<p>A T-LS00771</p>	<p>04</p>
		<p>SCALE: 1:4</p>	<p>WEIGHT: -</p>	<p>SHEET 3 OF 14</p>		