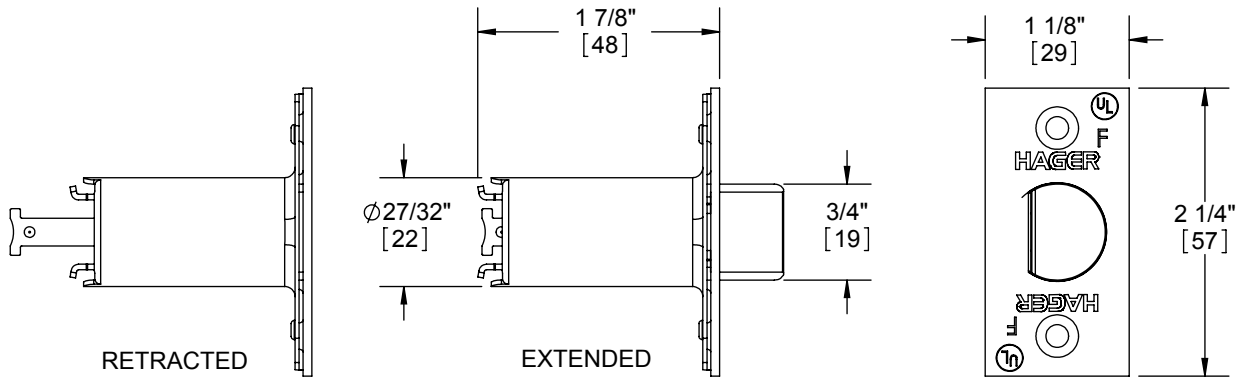
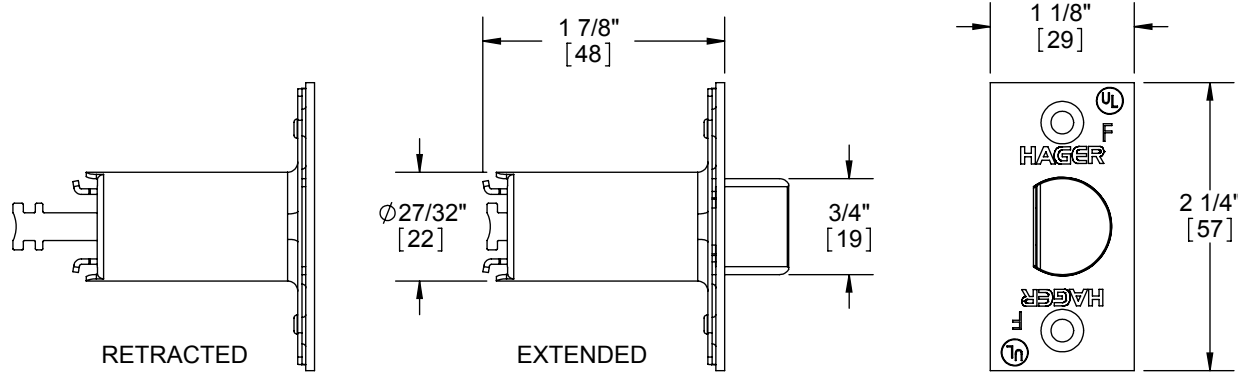


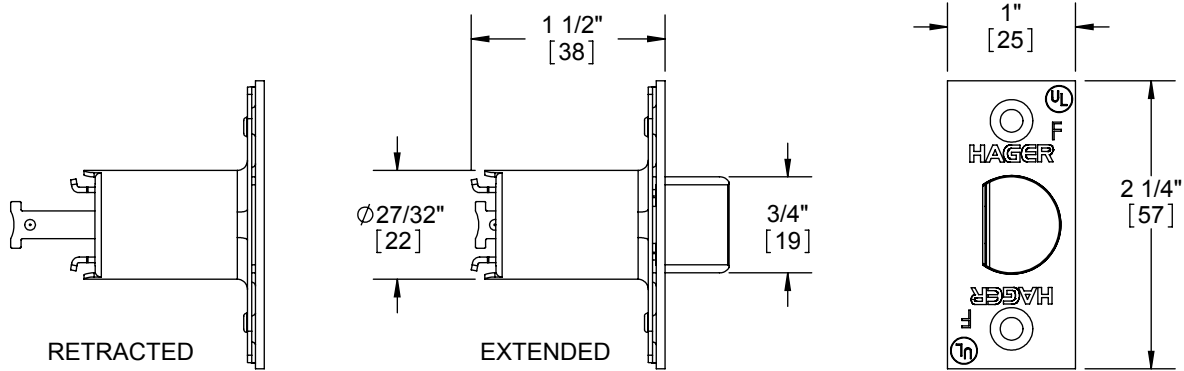
3947 PASSAGE LATCH FOR 2-3/4" BACKSET



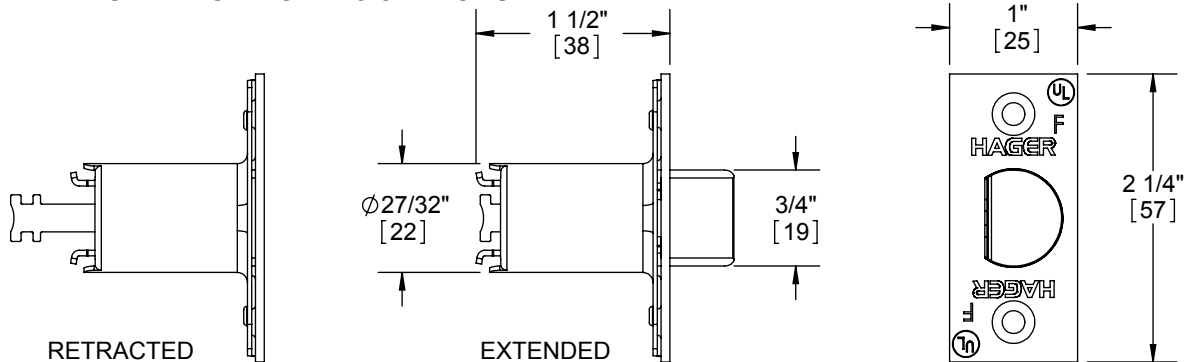
3965 PRIVACY LATCH FOR 2-3/4" BACKSET



3949 PASSAGE LATCH FOR 2-3/8" BACKSET



3967 PRIVACY LATCH FOR 2-3/8" BACKSET



HAGER RESERVES THE RIGHT TO MAKE DESIGN CHANGES WITHOUT NOTICE. CALL HAGER ENGINEERING AT 1-800-325-9995 FOR THE LATEST REVISION DATE OF TEMPLATE.

PRIMARY DIMENSIONS SHOWN IN INCHES, DIMENSIONS IN [] ARE MILLIMETERS.

MATERIAL
Material <not specified>

FINISH

DO NOT SCALE DRAWING

DRAWN	MRJ	2/1/2008
ENG. APPR.	-	-
Q.A.		
TOLERANCES:		
FRACTIONAL: ±0.015"		
ANGULAR: MACH: ± 1° BEND: ±1°		
TWO PLACE DECIMAL: ±0.01"		
THREE PLACE DECIMAL: ±0.004"		

2500 / 3500		REV.
SPRINGLATCH		
SIZE	DWG. NO.	02
A	T-LS00209	
SCALE: 1:1	WEIGHT: 0.03	SHEET 1 OF 1