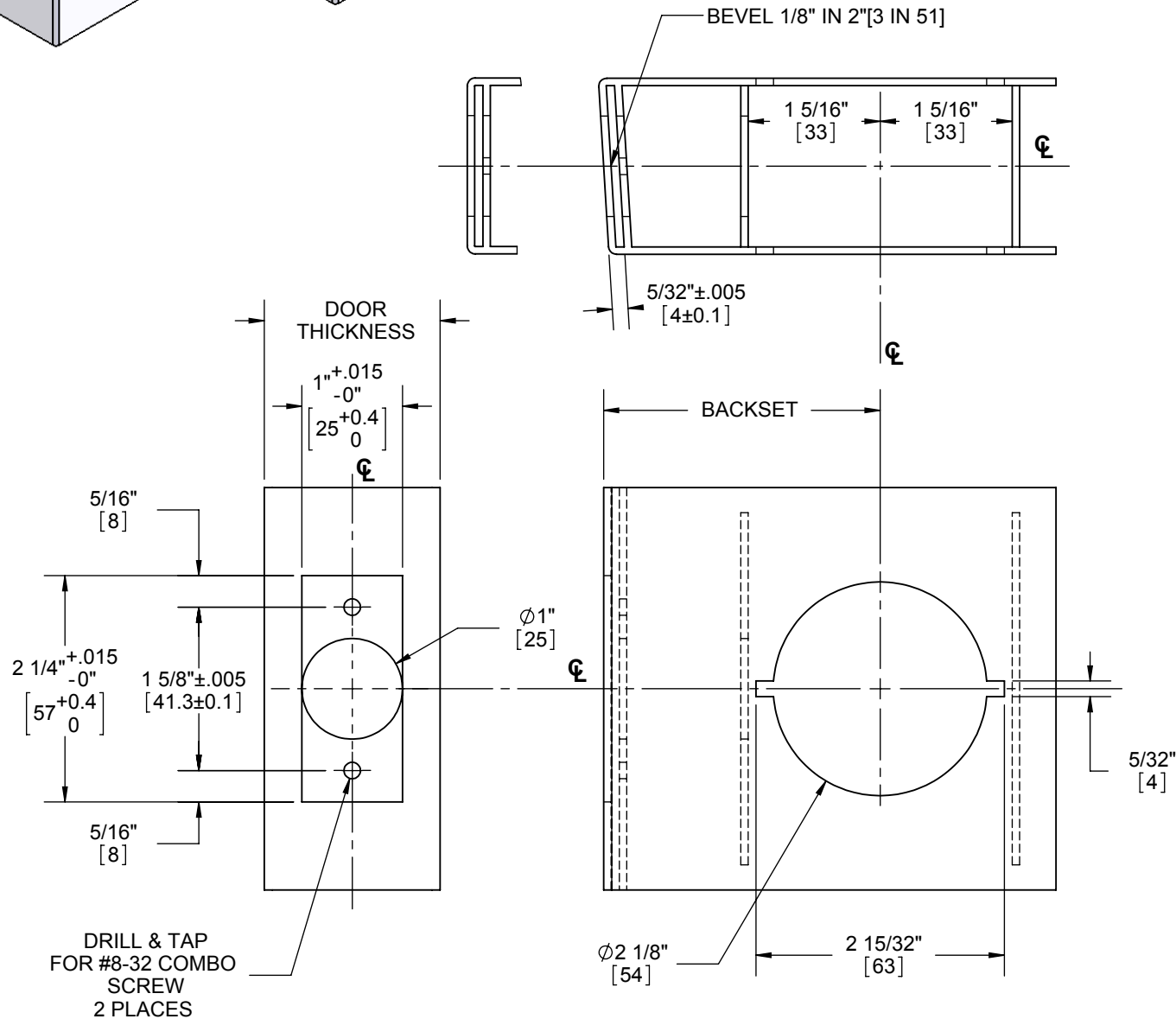
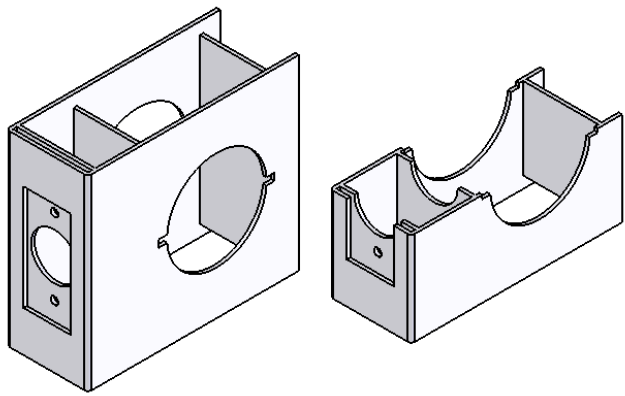


| REVISIONS | | |
|-----------|-----------------|------------|
| REV. | DESCRIPTION | DATE |
| 01 | UPDATE NOTES | 12/19/2007 |
| 02 | ADD CENTERLINES | 12/19/2007 |



- DOOR TYPE:** METAL, FLAT OR BEVELED
- DOOR THICKNESS:** 1 3/8"[35] - 1 3/4"[45]
- FACEPLATE:** SQUARE 1"[25] WIDTH
- BACKSETS:** ADJUSTABLE FOR 2 3/4"[70] OR 2 3/8"[60], 5"[127] OPTIONAL

DIMENSIONS IN [] ARE IN MILLIMETERS



HAGER RESERVES THE RIGHT TO MAKE DESIGN CHANGES WITHOUT NOTICE. CALL HAGER ENGINEERING AT 1-800-325-9995 FOR THE LATEST REVISION DATE OF TEMPLATE.

PRIMARY DIMENSIONS SHOWN IN INCHES, DIMENSIONS IN [] ARE MILLIMETERS.

MATERIAL
Material <not specified>

FINISH
-

DO NOT SCALE DRAWING

DRAWN MRJ 12/14/2007

ENG. APPR. - -

Q.A.

TOLERANCES:
FRACTIONAL: ±0.015"
ANGULAR: MACH: ± 1° BEND: ±1°
TWO PLACE DECIMAL: ±0.01"
THREE PLACE DECIMAL: ±0.004"

3600
METAL DOOR PREP TEMPLATE

SIZE **A** DWG. NO. T-LS00186 REV. 02

SCALE: 1:2 WEIGHT: 0.13 SHEET 1 OF 1