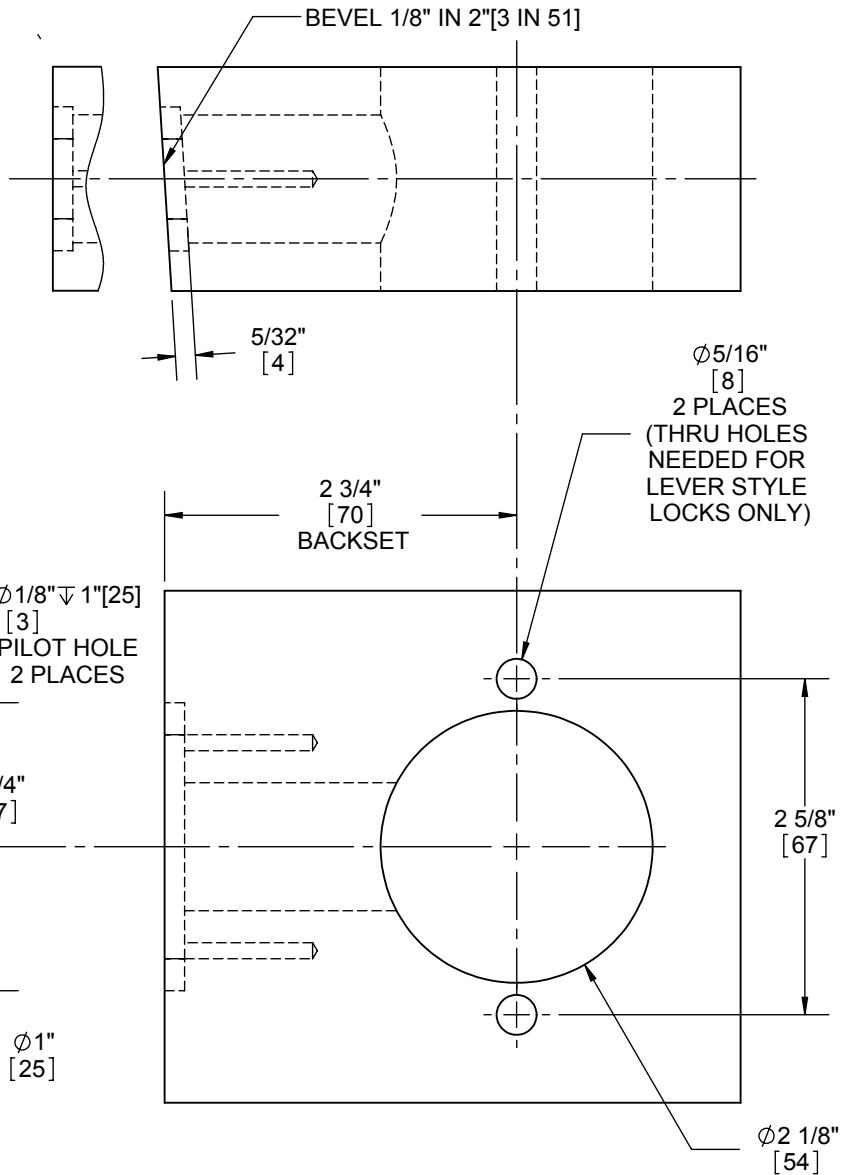
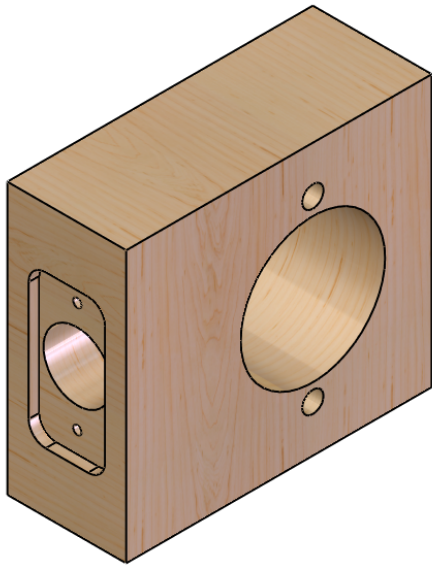


REVISIONS		
REV.	DESCRIPTION	DATE
-	INITIAL CHECK IN	12/5/2007
01	FOR WEBSITE	12/12/2007
02	UPDATED THRU HOLE NOTE	5/8/2008



- DOOR TYPE:** WOOD OR COMPOSITE, FLAT OR BEVELED
- DOOR THICKNESS:** KNOBS 1 3/8"[35] - 1 3/4"[45], LEVERS 1 3/8"[35] - 2"[51]
- FACEPLATE:** 1/4"R, 1 1/8"[29] WIDTH
- BACKSETS:** 2 3/4"[70], 5"[127] OPTIONAL

DIMENSIONS IN [] ARE IN MILLIMETERS



HAGER RESERVES THE RIGHT TO MAKE DESIGN CHANGES WITHOUT NOTICE. CALL HAGER ENGINEERING AT 1-800-325-9995 FOR THE LATEST REVISION DATE OF TEMPLATE.

PRIMARY DIMENSIONS SHOWN IN INCHES, DIMENSIONS IN [] ARE MILLIMETERS.

MATERIAL	DRAWN MRJ 11/19/2007
FINISH	ENG. APPR. MAM 12/05/2007
DO NOT SCALE DRAWING	Q.A.
	TOLERANCES: FRACTIONAL: ±0.015" ANGULAR: MACH: ±1° BEND: ±1° TWO PLACE DECIMAL: ±0.01" THREE PLACE DECIMAL: ±0.004"

3500	
WOOD DOOR PREP TEMP FOR 2 3/4" BACKSET, ROUND CORNER OPTION	
SIZE A	DWG. NO. T-LS00152
SCALE: 1:2	REV. 02
WEIGHT: 0.41	SHEET 1 OF 1