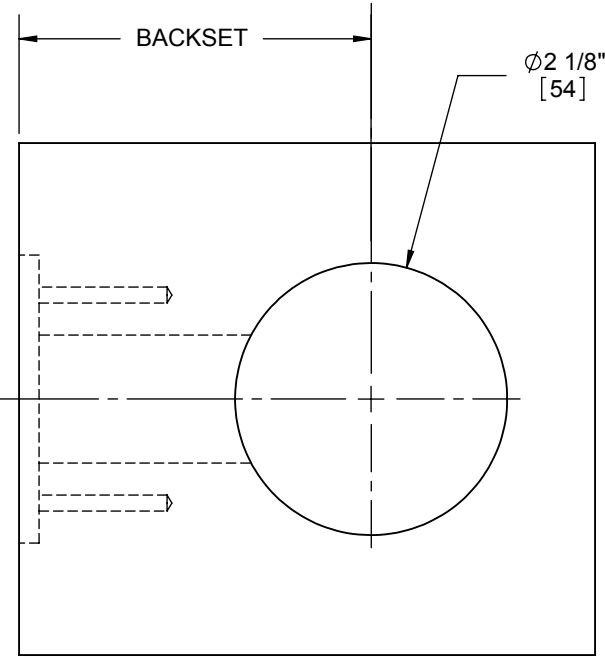
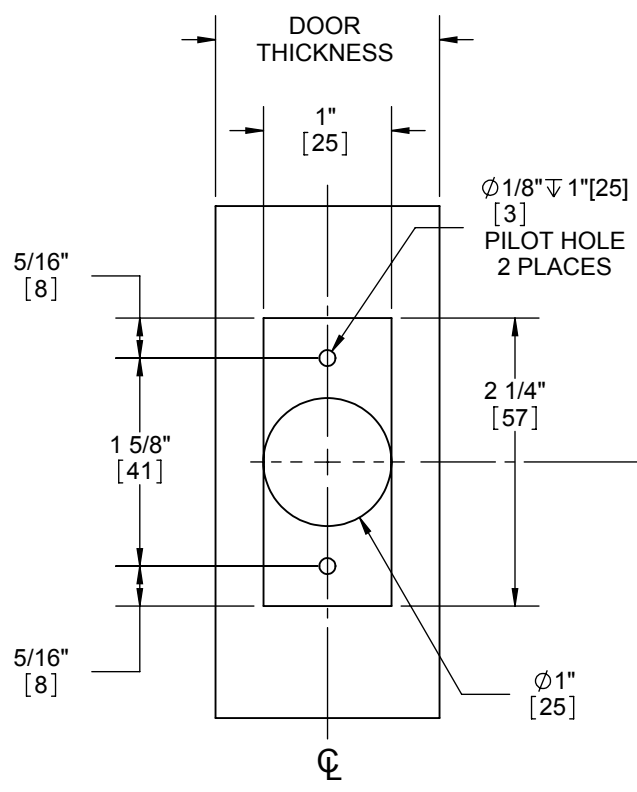
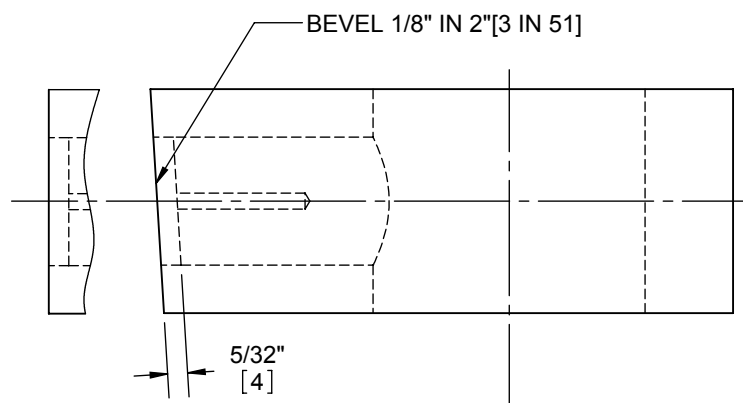
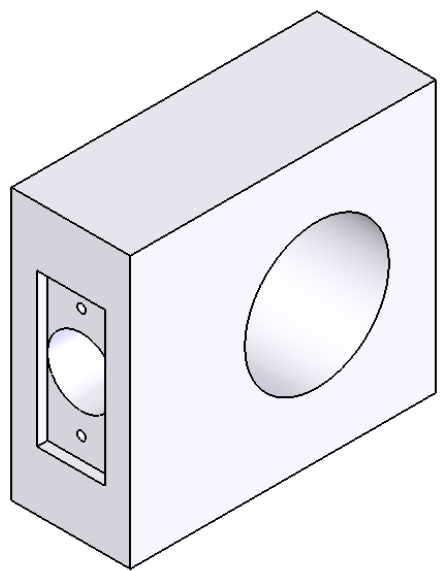


REVISIONS		
REV.	DESCRIPTION	DATE
-	INITIAL CHECK IN	12/4/2007
01	FOR WEBSITE	12/12/2007



- DOOR TYPE:** WOOD OR COMPOSITE, FLAT OR BEVELED
- DOOR THICKNESS:** 1 3/8"[35] - 1 3/4"[45]
- FACEPLATE:** SQUARE 1"[25] WIDTH
- BACKSETS:** ADJUSTABLE FOR 2 3/4"[70] OR 2 3/8"[60], 5"[127] OPTIONAL

DIMENSIONS IN BRACKETS [] ARE IN MILLIMETERS



HAGER RESERVES THE RIGHT TO MAKE DESIGN CHANGES WITHOUT NOTICE. CALL HAGER ENGINEERING AT 1-800-325-9995 FOR THE LATEST REVISION DATE OF TEMPLATE.

PRIMARY DIMENSIONS SHOWN IN INCHES, DIMENSIONS IN [] ARE MILLIMETERS.

DRAWN	MRJ	11/19/2007
ENG. APPR.	MAM	11/30/2007
MATERIAL	Q.A.	
FINISH	-	
DO NOT SCALE DRAWING		
TOLERANCES: FRACTIONAL: ±0.015" ANGULAR: MACH: ± 1° BEND: ± 1° TWO PLACE DECIMAL: ±0.01" THREE PLACE DECIMAL: ±0.004"		

3600		REV.
WOOD DOOR PREP TEMPLATE		01
SIZE	DWG. NO.	SCALE: 1:2
A	T-LS00148	WEIGHT: 0.42
		SHEET 1 OF 1