

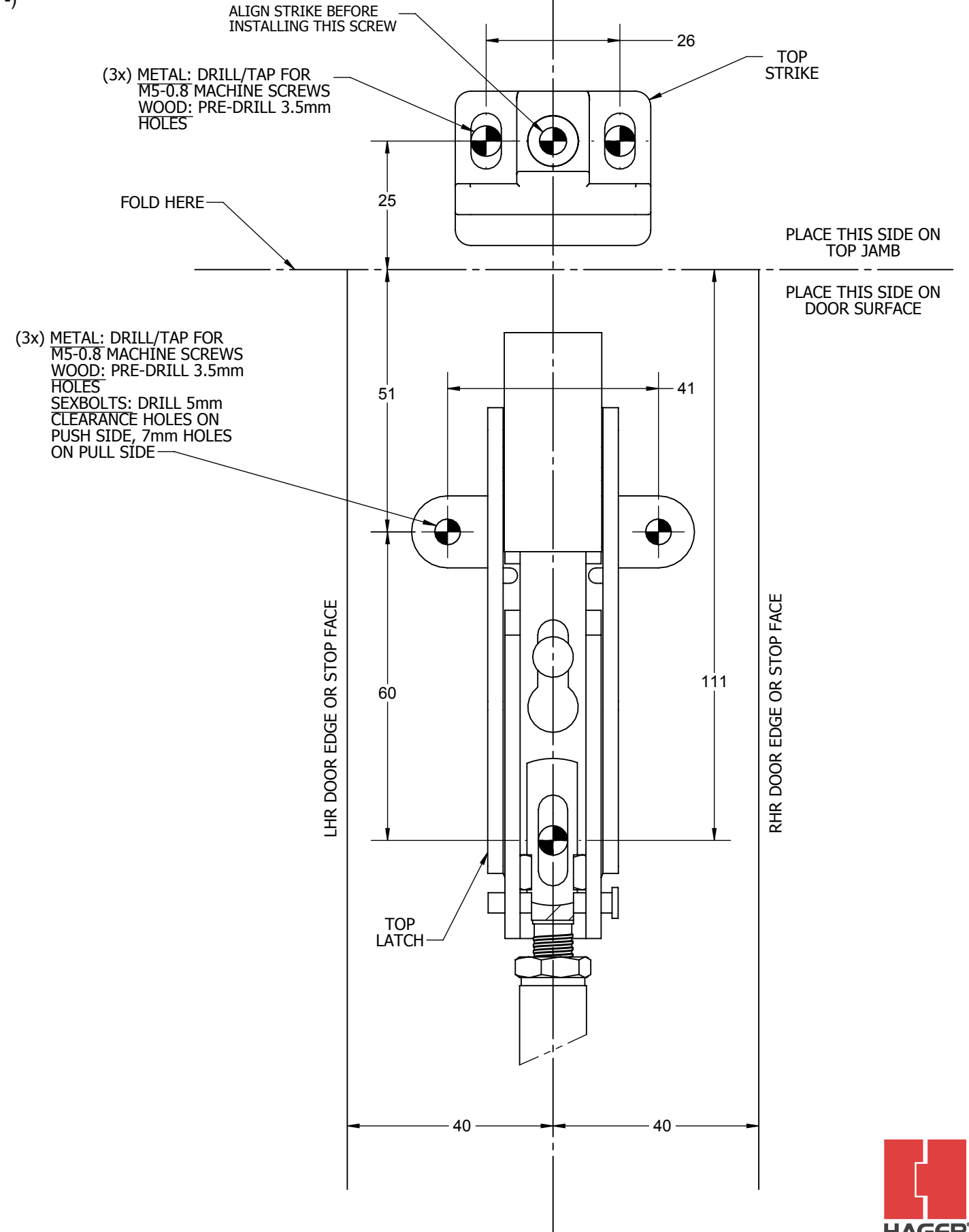
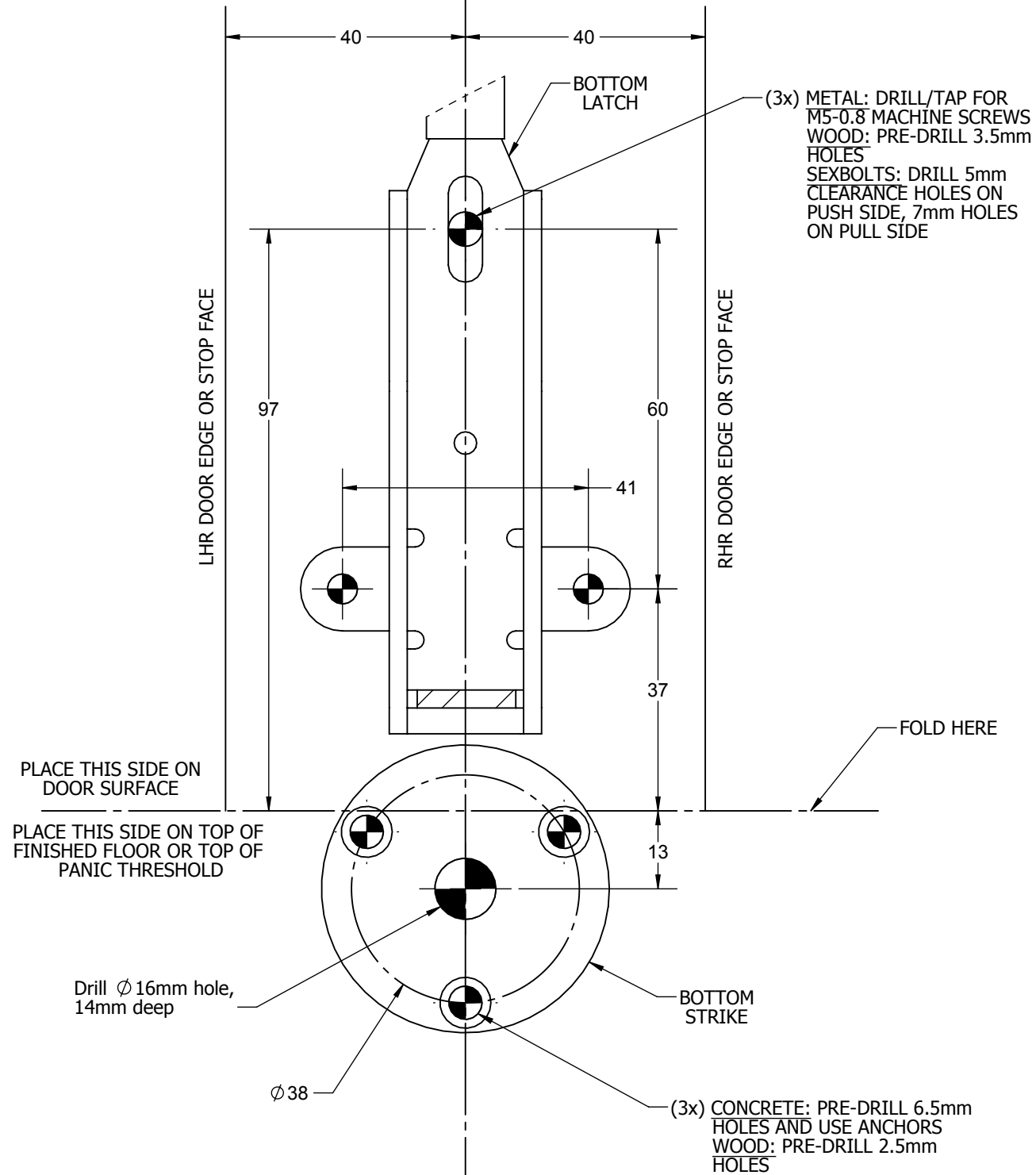
**BOTTOM LATCH
TEMPLATE**

4200 SVR EXIT DEVICE LATCH TEMPLATE

(FOR PANIC AND FIRE RATED DEVICES)

DWG NO: T-ED01672 (REV: -)

**TOP LATCH
TEMPLATE**



CUT HERE TO SEPARATE TOP AND BOTTOM TEMPLATES

HOLE LOCATIONS
DIMENSIONS ARE SHOWN IN MILLIMETERS.

