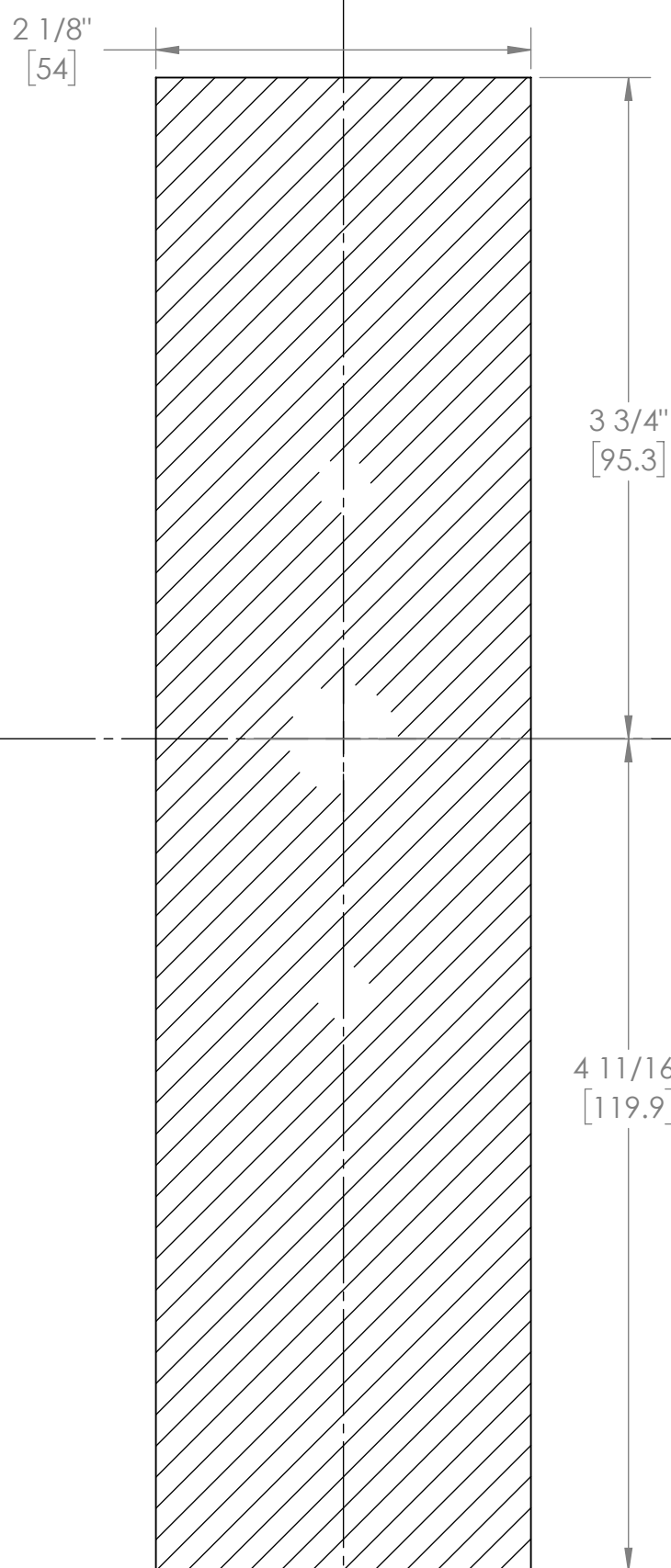


# 45PT PULL PLATE TEMPLATE

DRAWING NO: T-ED01274  
(REV: 01 REV DATE: 08OCT2019)

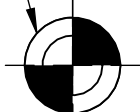
FOR LHR DOOR



CUT OUT THIS SIDE ONLY,  
FOR WOOD DOORS THIS  
CUTOUT SHOULD BE 1 3/8"  
(34.9 mm) DEEP

PULL PLATE  $\phi$   
CORRESPONDS TO  
EXIT DEVICE  $\phi$

TRIM MOUNTING HOLE  
ON PULL SIDE,  
DRILL  $\phi$  1/2" (12.7 mm)  
FOR WOOD DOORS  
DRILL THIS HOLE THRU

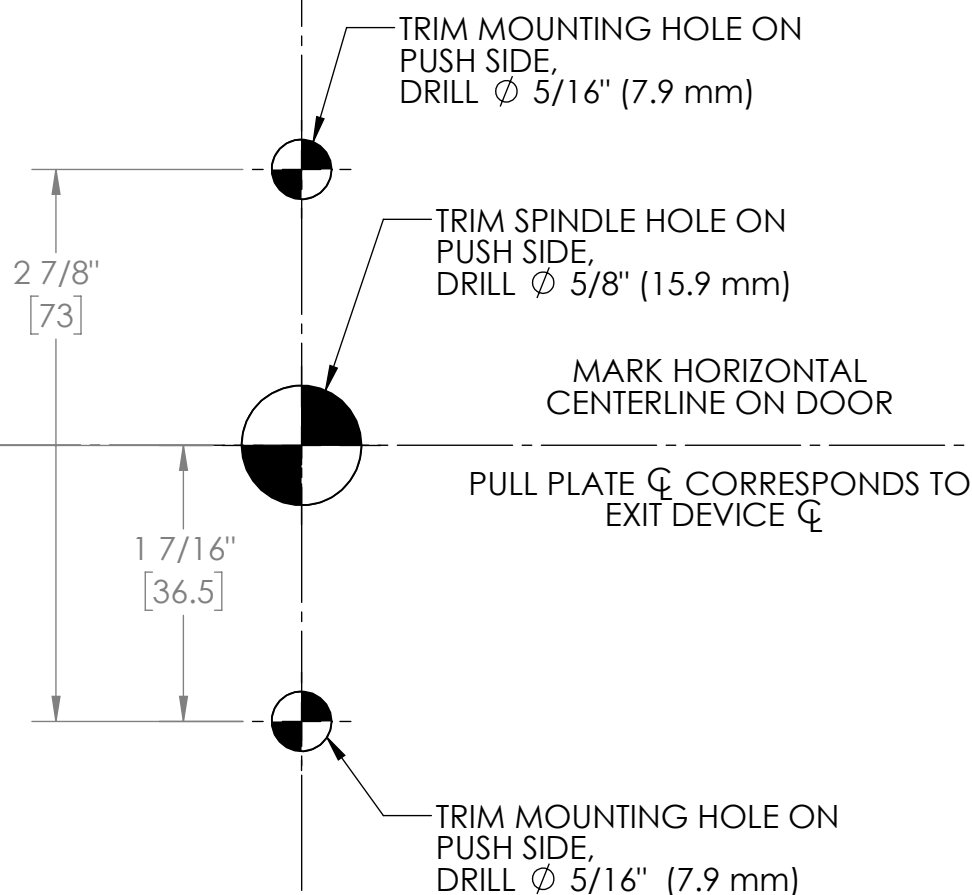


$\phi$

OUTSIDE FACE OF DOOR

RHR DOOR EDGE OR STOP FACE

INSIDE FACE OF DOOR



TRIM MOUNTING HOLE ON  
PUSH SIDE,  
DRILL  $\phi$  5/16" (7.9 mm)

TRIM SPINDLE HOLE ON  
PUSH SIDE,  
DRILL  $\phi$  5/8" (15.9 mm)

MARK HORIZONTAL  
CENTERLINE ON DOOR

PULL PLATE  $\phi$  CORRESPONDS TO  
EXIT DEVICE  $\phi$

TRIM MOUNTING HOLE ON  
PUSH SIDE,  
DRILL  $\phi$  5/16" (7.9 mm)

PULL PLATE  $\phi$   
CORRESPONDS TO  
EXIT DEVICE  $\phi$

TRIM MOUNTING HOLE ON  
PUSH SIDE, DRILL  $\phi$  5/16" (7.9 mm)  
FOR METAL DOORS ONLY

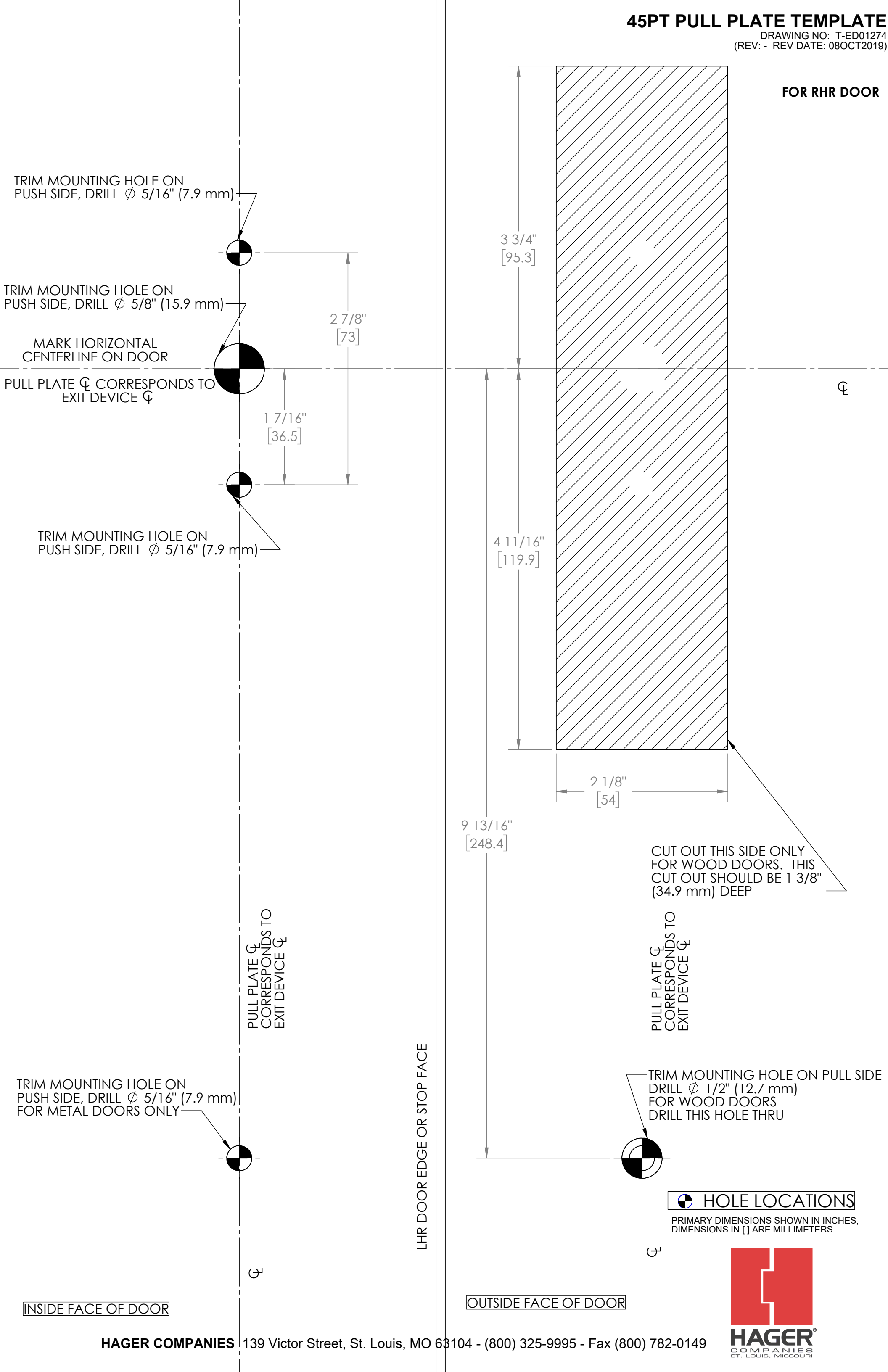
 HOLE LOCATIONS

PRIMARY DIMENSIONS SHOWN IN INCHES,  
DIMENSIONS IN [ ] ARE MILLIMETERS.

# 45PT PULL PLATE TEMPLATE

DRAWING NO: T-ED01274  
(REV: - REV DATE: 08OCT2019)

FOR RHR DOOR



TRIM MOUNTING HOLE ON  
PUSH SIDE, DRILL  $\phi$  5/16" (7.9 mm)

TRIM MOUNTING HOLE ON  
PUSH SIDE, DRILL  $\phi$  5/8" (15.9 mm)

MARK HORIZONTAL  
CENTERLINE ON DOOR

PULL PLATE  $\phi$  CORRESPONDS TO  
EXIT DEVICE  $\phi$

TRIM MOUNTING HOLE ON  
PUSH SIDE, DRILL  $\phi$  5/16" (7.9 mm)

TRIM MOUNTING HOLE ON  
PUSH SIDE, DRILL  $\phi$  5/16" (7.9 mm)  
FOR METAL DOORS ONLY

CUT OUT THIS SIDE ONLY  
FOR WOOD DOORS. THIS  
CUT OUT SHOULD BE 1 3/8"  
(34.9 mm) DEEP

TRIM MOUNTING HOLE ON PULL SIDE  
DRILL  $\phi$  1/2" (12.7 mm)  
FOR WOOD DOORS  
DRILL THIS HOLE THRU

### HOLE LOCATIONS

PRIMARY DIMENSIONS SHOWN IN INCHES,  
DIMENSIONS IN [ ] ARE MILLIMETERS.



**HAGER**  
COMPANIES  
ST. LOUIS, MISSOURI