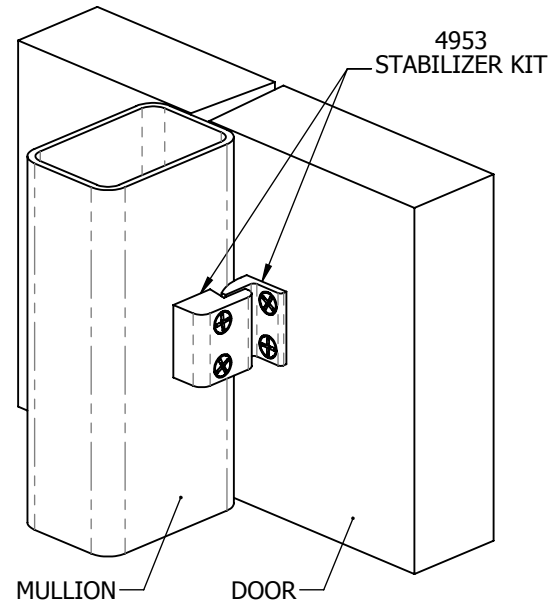


4953 STABILIZER TEMPLATE

(PRINT FULL SIZE 8-1/2" X 14")



FOLD ALONG THIS LINE

FOLD ALONG THIS LINE

PLACE THIS SIDE ON DOOR
PLACE THIS SIDE ON MULLION
OR FRAME STOP

PLACE THIS SIDE ON MULLION
OR FRAME STOP
PLACE THIS SIDE ON DOOR

EXIT DEVICE CENTERLINE (CL)

EXIT DEVICE CENTERLINE (CL)

SEE NOTE 1
(NOT TO SCALE)

SEE NOTE 1
(NOT TO SCALE)

MOUNT TO DOOR

MOUNT TO MULLION
OR FRAME STOP

MOUNT TO MULLION
OR FRAME STOP

MOUNT TO DOOR

3/4"
[19]

3/4"
[19]

3/4"
[19]

3/4"
[19]

MOUNTING SCREW LOCATIONS:
(4 PLACES)
METAL: DRILL/TAP FOR #10-24
MACHINE SCREWS
WOOD: PRE-DRILL \varnothing 1/8" HOLES

MOUNTING SCREW LOCATIONS:
(4 PLACES)
METAL: DRILL/TAP FOR #10-24
MACHINE SCREWS
WOOD: PRE-DRILL \varnothing 1/8" HOLES

1/32"
[1]
REF

1/32"
[1]
REF

5/8"
[16]

1 1/8"
[29]

1 1/8"
[29]

5/8"
[16]

DOOR
FRAME

FRAME
DOOR

**RHR
TEMPLATE**

**LHR
TEMPLATE**

NOTES:

1. RECOMMEND LOCATING STABILIZER 6" BELOW EXIT DEVICE CENTERLINE.
2. HOLE LOCATIONS IDENTIFIED BY THE \odot
3. PRIMARY DIMENSIONS SHOWN IN INCHES, DIMENSIONS IN [] ARE MILLIMETERS.

