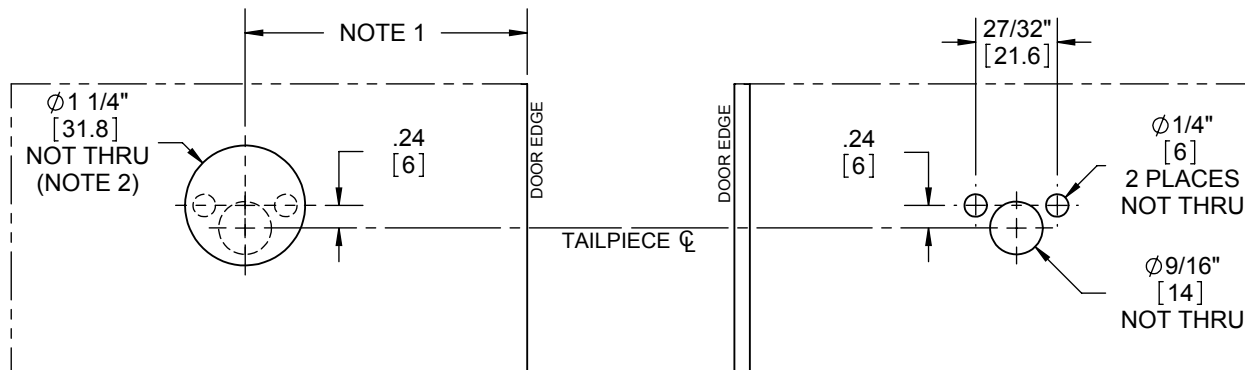
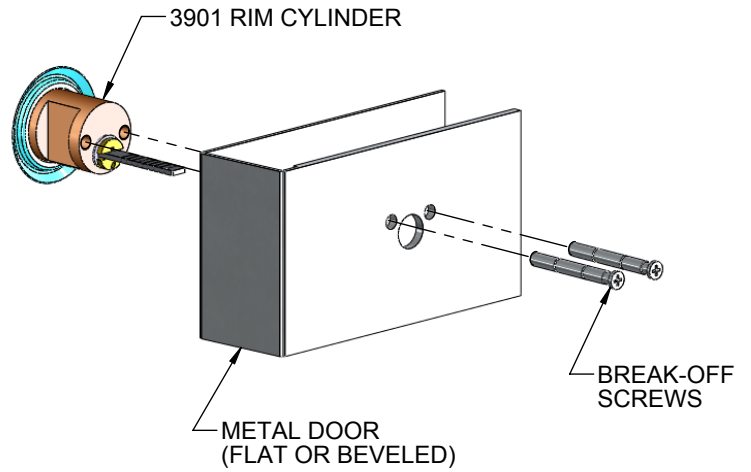
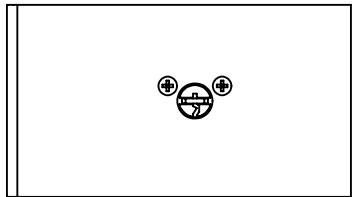
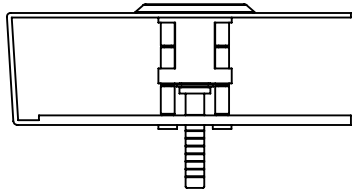


# 3901 RIM CYLINDER METAL DOOR PREP TEMPLATE FOR USE WHEN NOT UTILIZING THE RIM CYLINDER MOUNTING PLATE



**PULL SIDE OF DOOR  
(CYLINDER MOUNTS ON THIS SIDE)**  
(NOT TO SCALE)

**PUSH SIDE OF DOOR  
(DEVICE MOUNTS ON THIS SIDE)**  
(NOT TO SCALE)

**NOTES:**

1. SEE DEVICE INSTRUCTIONS FOR BACKSET DIMENSIONS.
2. DRILL THRU IF USING THE RIM CYLINDER MOUNTING PLATE.



RIM CYLINDER  
MOUNTING PLATE  
(SEE NOTE 2)

