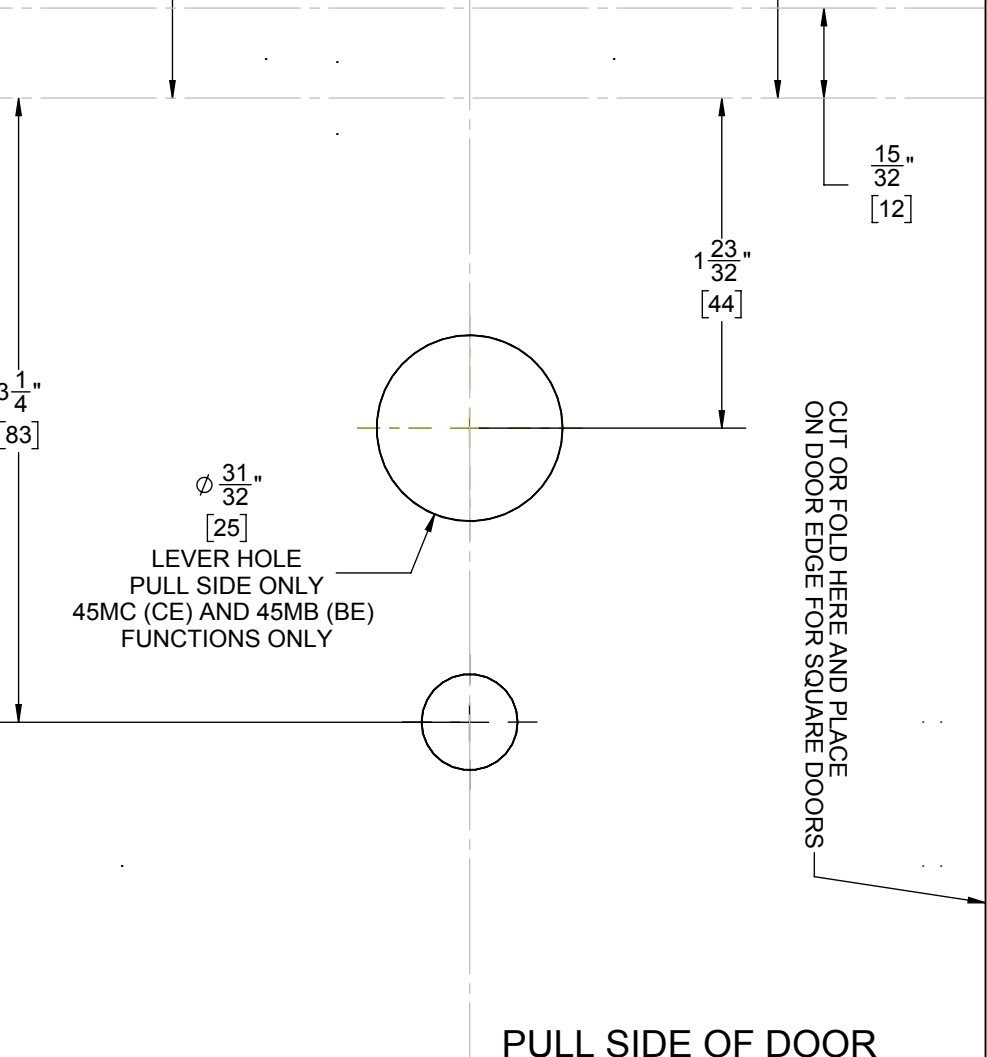
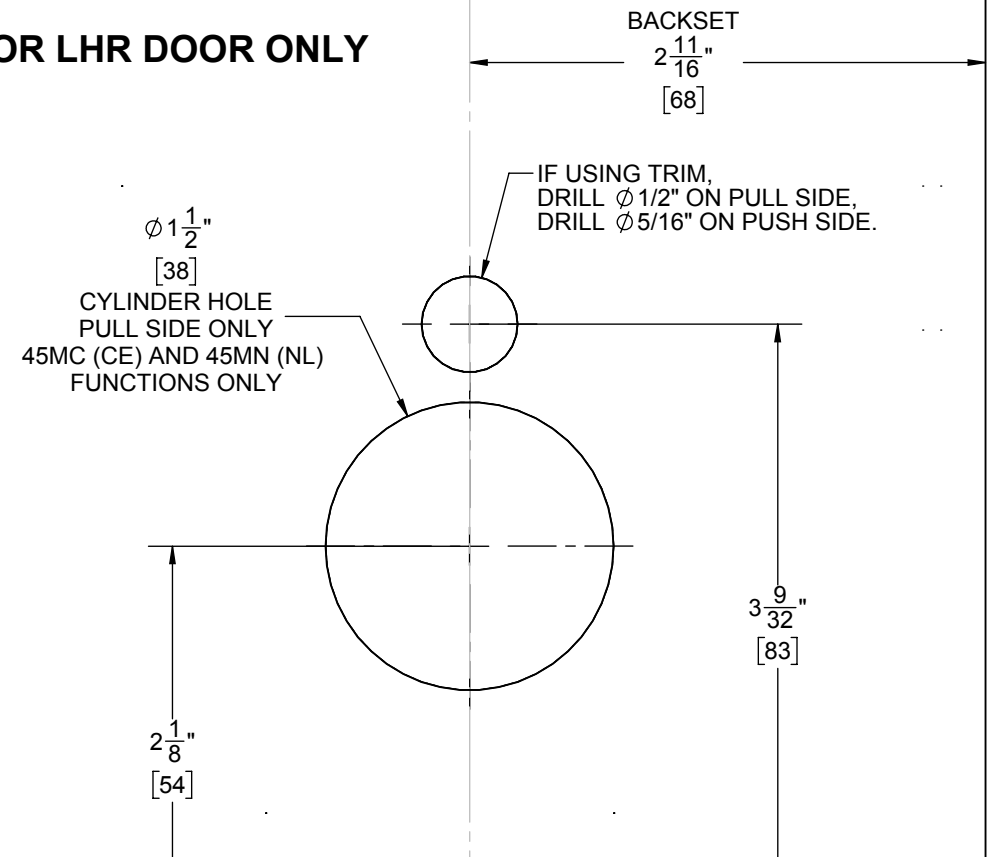
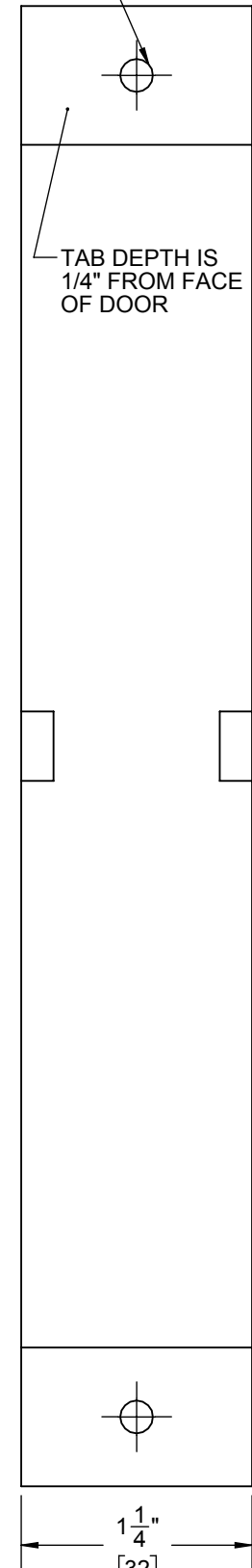


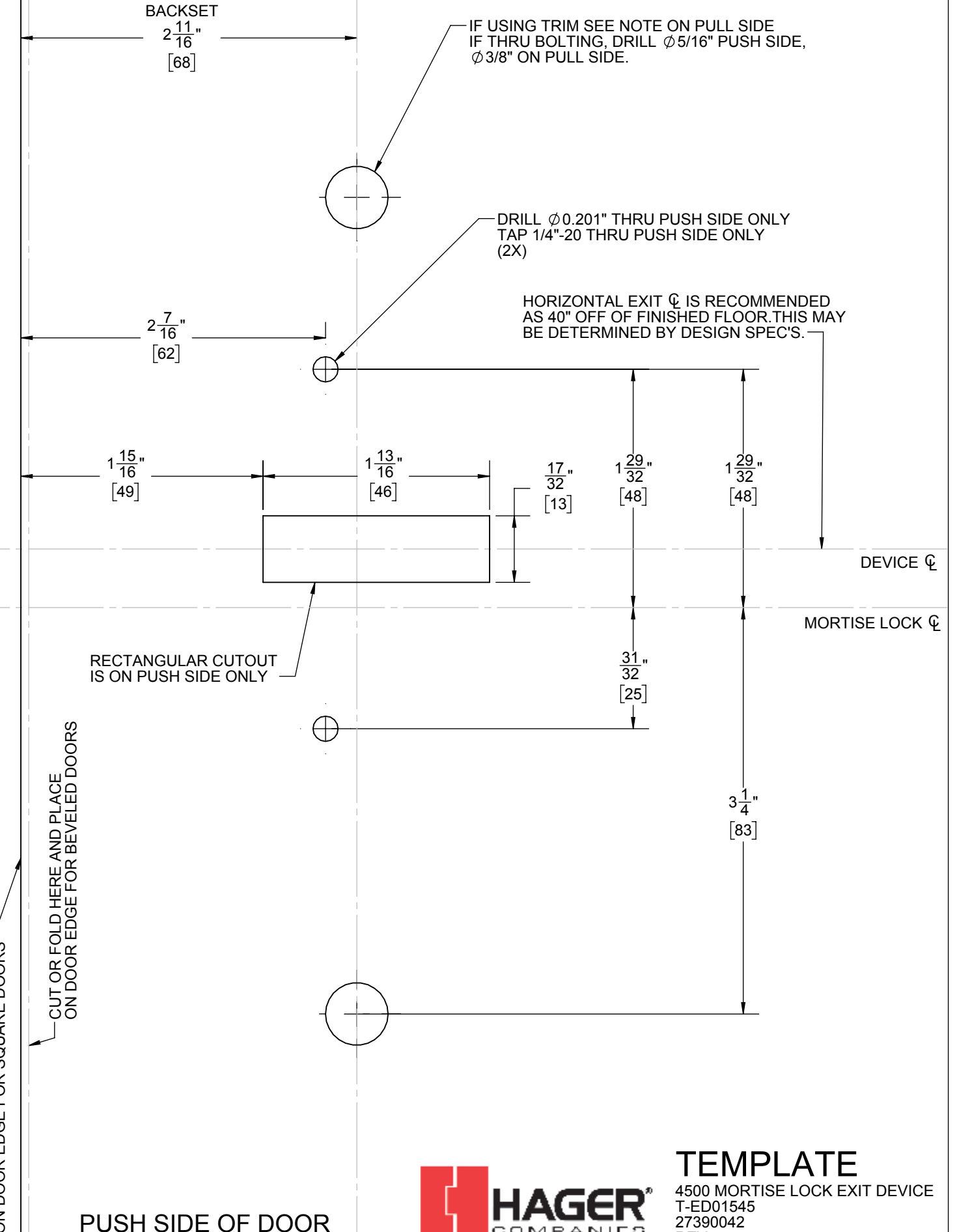
FOR LHR DOOR ONLY



DRILL $\phi 0.177$ " THRU TAP #12-24 THRU (2X)

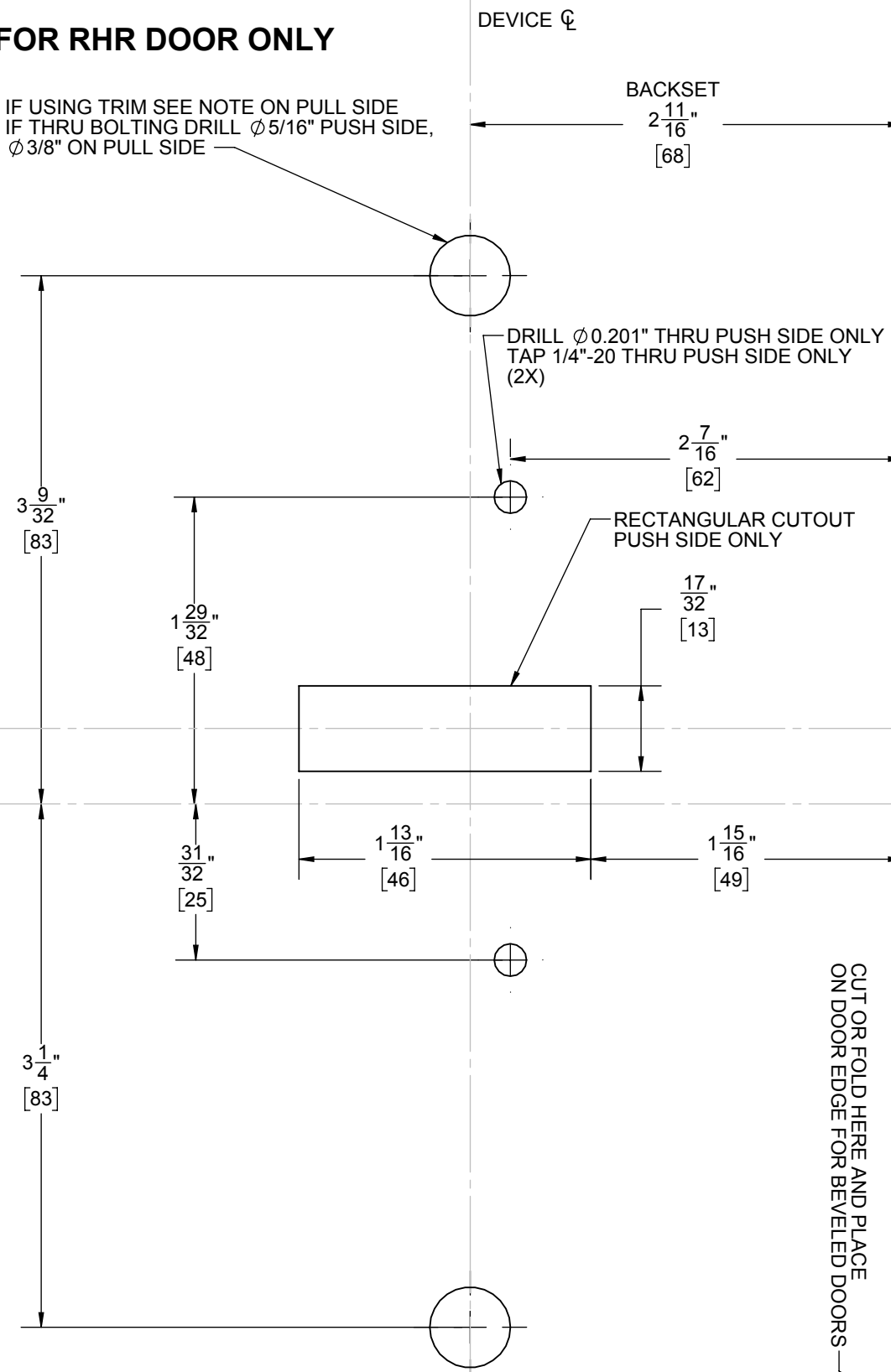


BACKSET $2\frac{11}{16}$ " [68]



FOR RHR DOOR ONLY

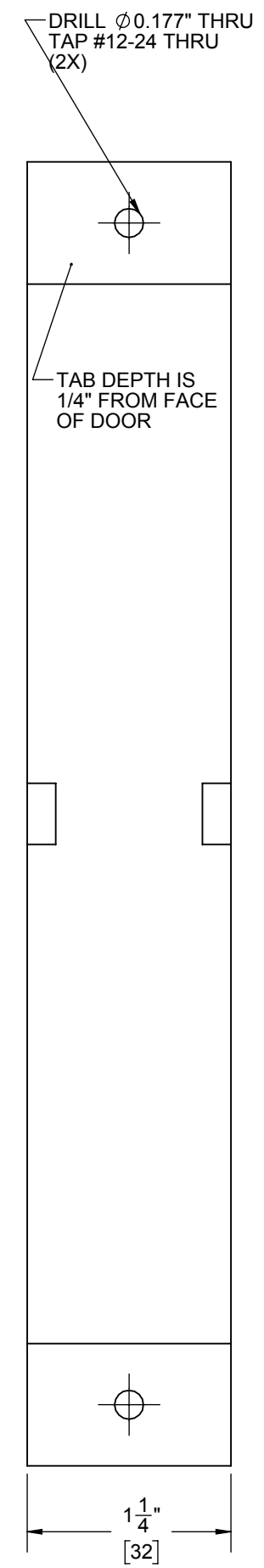
IF USING TRIM SEE NOTE ON PULL SIDE
IF THRU BOLTING DRILL $\phi 5/16"$ PUSH SIDE,
 $\phi 3/8"$ ON PULL SIDE



PUSH SIDE OF DOOR

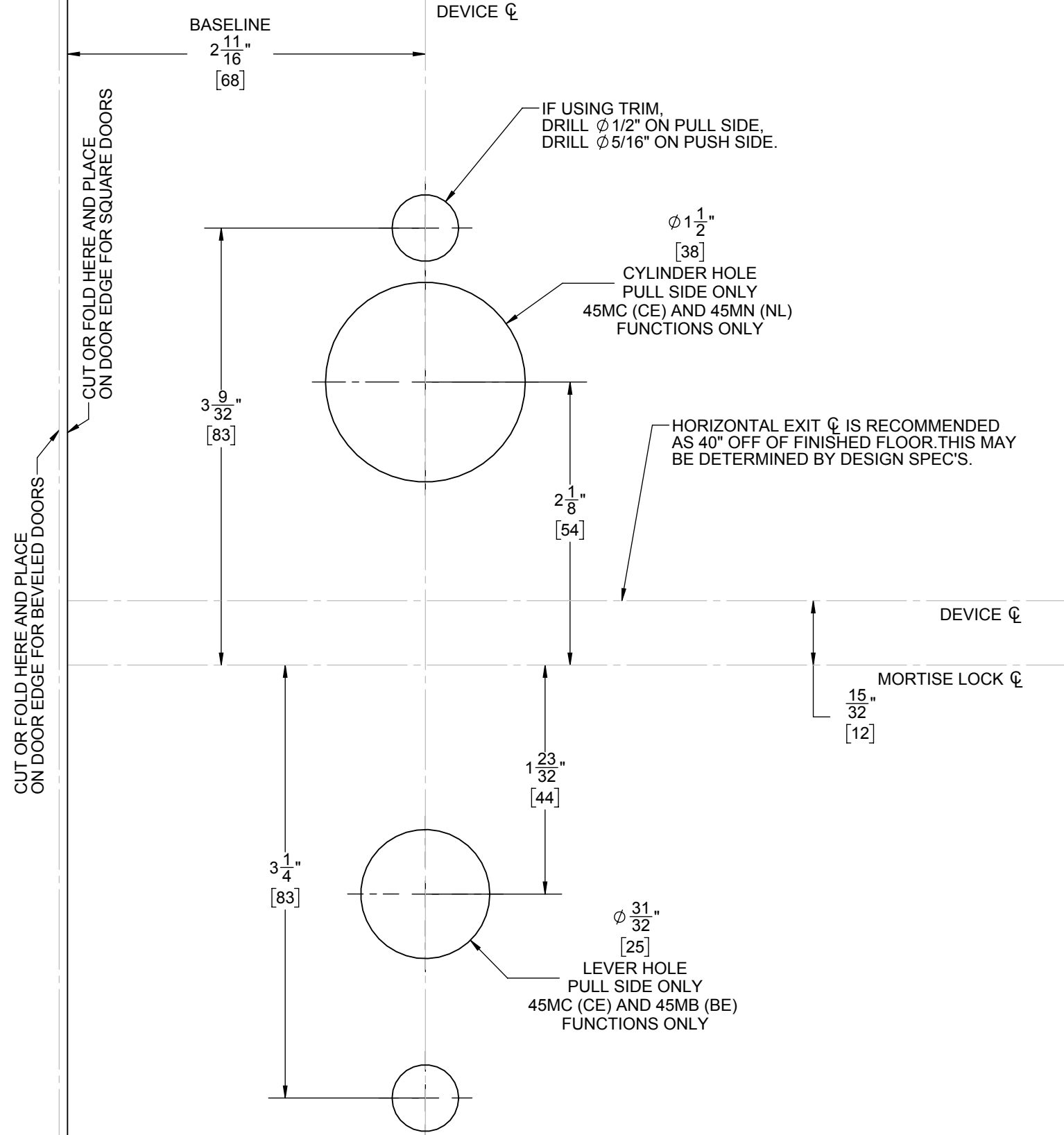
CUT OR FOLD HERE AND PLACE ON DOOR EDGE FOR BEVELED DOORS

CUT OR FOLD HERE AND PLACE ON DOOR EDGE FOR SQUARE DOORS



DOOR THICKNESS
1-3/4" SHOWN

BASELINE
 $2 \frac{11}{16}"$ [68]

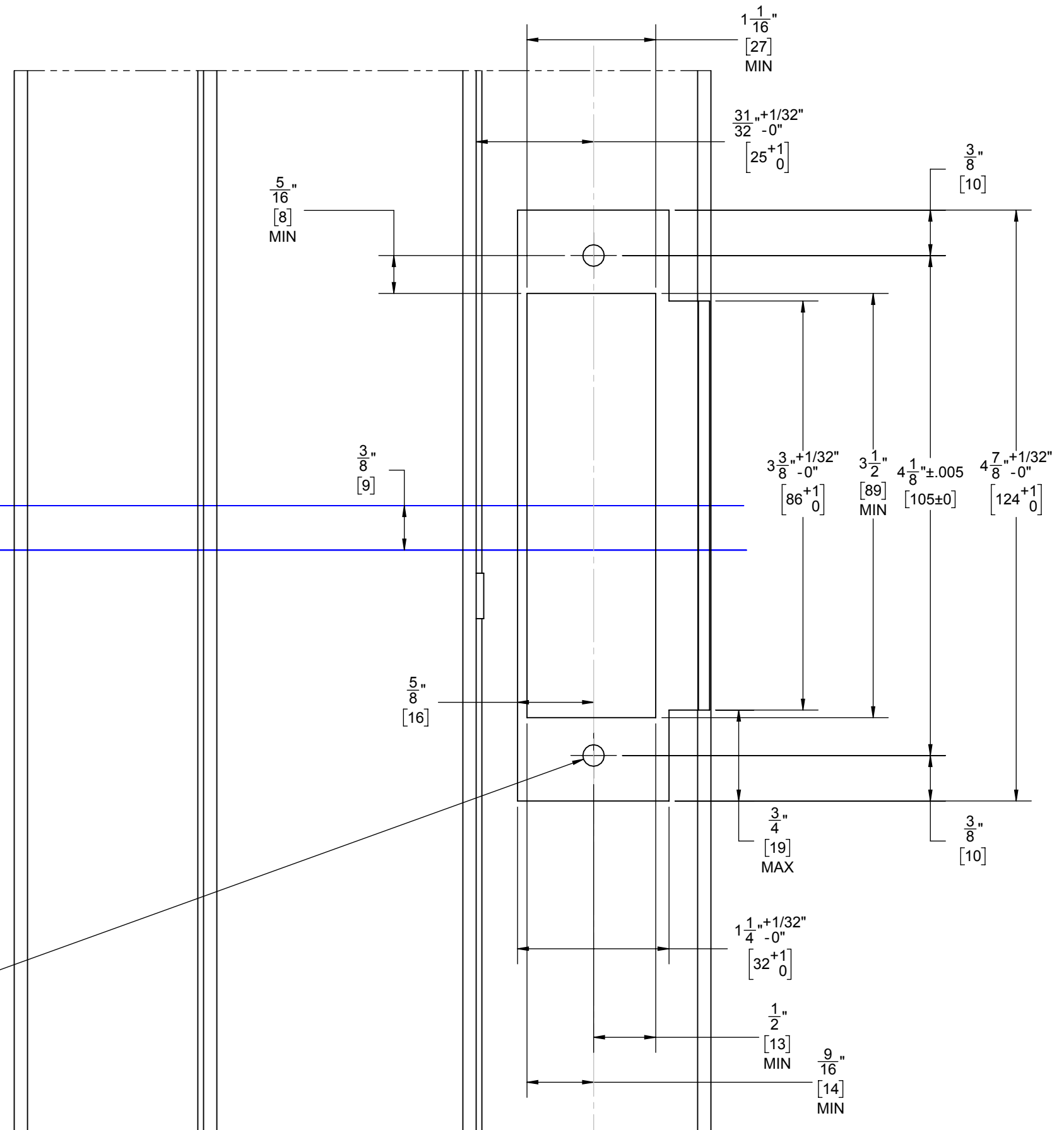


PULL SIDE OF DOOR

PREP STRIKE HOLE PER ANSI/BHMA A156.115-2006.

STRIKE \varnothing
MORTISE LOCK \varnothing

2X $\varnothing \frac{3}{16}$ " [4] $\nabla \frac{9}{16}$ " [14]
12-24 UNC $\nabla \frac{7}{16}$ " [11]



TEMPLATE
4500 MORTISE LOCK EXIT DEVICE
T-ED01545
27390042
REV: 5
REV DATE: 6/12/2018