

4600 TRIM TEMPLATE

- STANDARD INSTALLATION
- FOR BE, CE AND DT TRIM MODELS
- LHR AND RHR HANDING

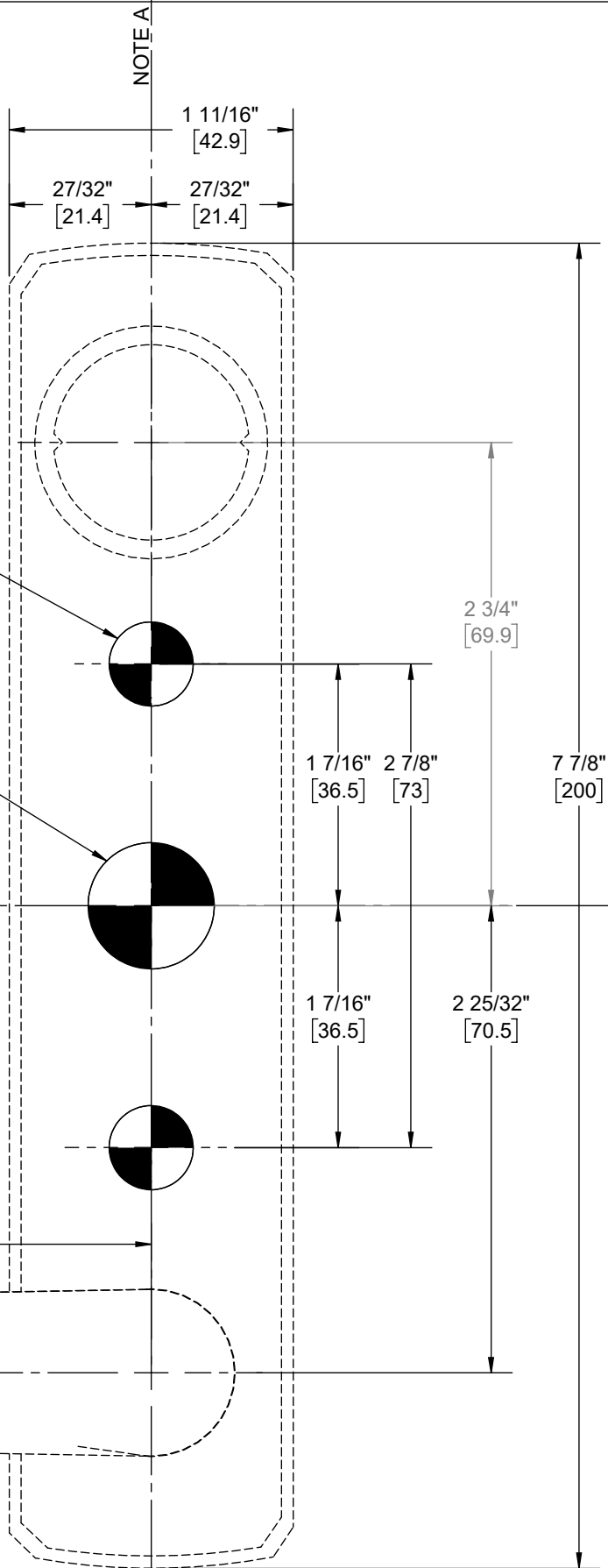
PRINT 8-1/2" X 11" FULL SIZE

TRIM MOUNTING CLEARANCE HOLES:
 DRILL ϕ 1/2" [13] HOLES ON PULL SIDE.
 DRILL ϕ 5/16" [8] HOLES ON PUSH SIDE.
 (2 PLACES)

TRIM TAILPIECE CLEARANCE HOLE:
 FOR CE & BE, NOT REQUIRED FOR DT.
 DRILL ϕ 3/4" [19] HOLE ON PULL SIDE.
 DRILL ϕ 1/2" [13] HOLE ON PUSH SIDE.

TRIM ϕ CORRESPONDS TO
 EXIT DEVICE ϕ
 (NOTE A)

LEFT HAND REVERSE (LHR) SHOWN



TEMPLATE NO: 27390052 DRAWING NO: T-ED01194 rev4
 REV: 03 REV DATE: 17JUNE20 SHEET 1 OF 1
HAGER COMPANIES 139 Victor Street, St. Louis, MO 63104
 (800) 325-9995 - Fax (800) 782-0149

- NOTES:
- SEE TRIM INSTALLATION INSTRUCTIONS FOR ALIGNMENT DETAILS. (ϕ = CENTERLINE)
 - HOLE LOCATIONS IDENTIFIED BY THE
 - PRIMARY DIMENSIONS SHOWN IN INCHES, DIMENSIONS IN [] ARE MILLIMETERS.